

GRUPO 02 02 ENGRASE

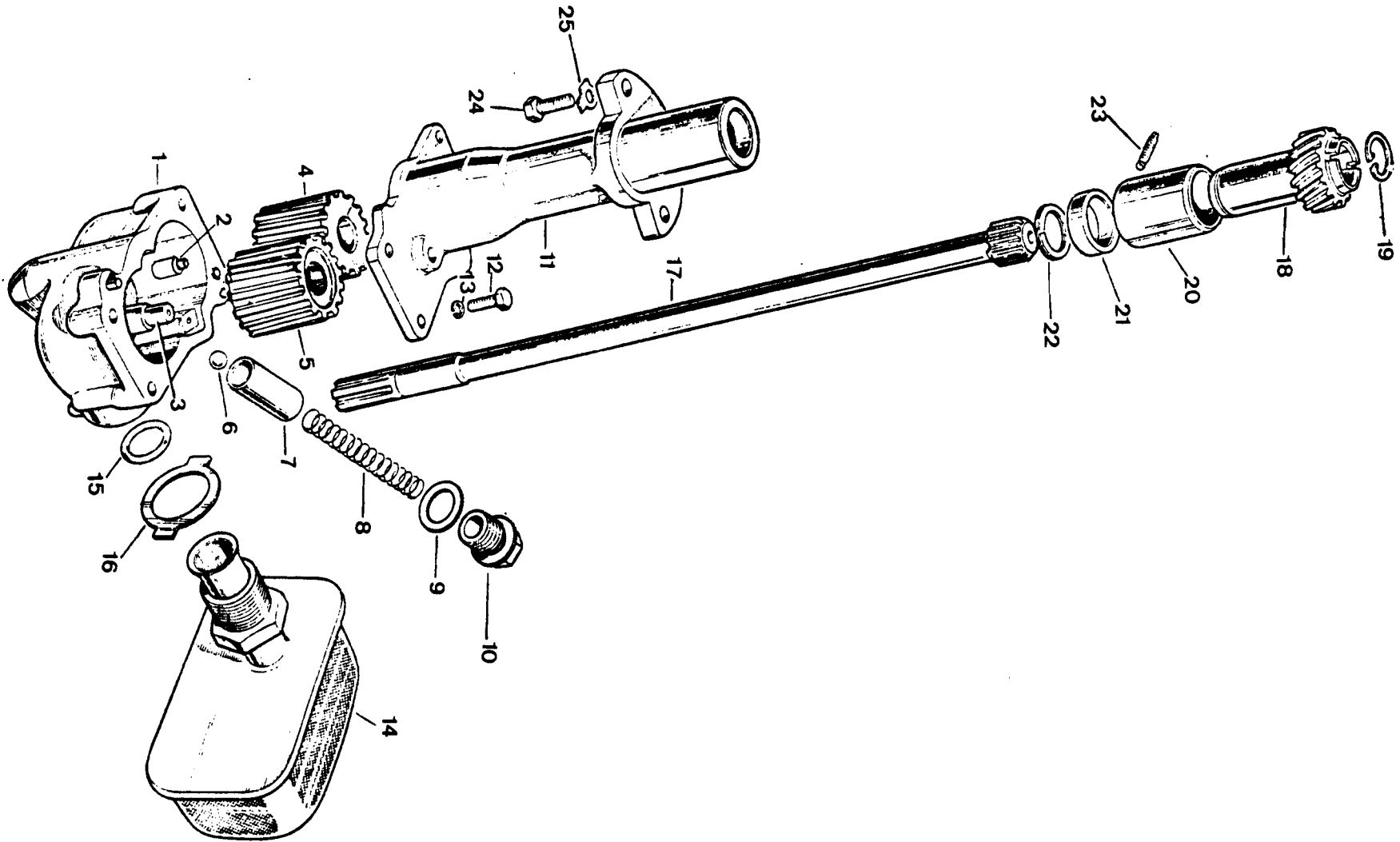
GROUP 02 02 LUBRICATION

GROUP 02 02 GRAISSAGE

COMPOSICION.....COMPOSITION.....COMPOSICION

DENOMINACION	DESCRIPTION	DENOMINATION	HOJA PAGE PAGE
BOMBA DE ACEITE 4C G	OIL PUMB 4C P	POMPE A HUILE 4C E	49
BOMBA DE ACEITE 4C D	OIL PUMB 4C D	POMPE A HUILE 4C D	50
BOMBA 4C D TURBO 6C	OIL PU 4C D TUR 6C	POMPE 4C D TURBO 6C	51
FILTRO DE ACEITE	OIL FILTER	FILTRE DE HUILE	52
FILTRO DE 4C D TURBO	OIL FILT 4C D TURBO	FILTRE DE 4C C TURBO	53
TAPA DELANTERA 4C G	FRONT COVER 4C P	COUVERCLE AVANT 4C E	54
TAPA DELANTERA 6C G	FRONT COVER 6C P	COUVERCLE AVANT 6C E	55
TAPA DELANTERA 4C D	FRONT COVER 4C D	COUVERCLE AVANT 4C D	56
TAPA DELA 4C D TURBO	FRONT COV 4C D TURBO	COUVERCLE 4C D TURBO	57
TAPA DELANTERA 6C D	FRONT COVER 6C D	COUVERCLE AVANT 6C D	58
TAPA DE BALANCI 4C G	ROKER COVER 4C P	COUVERCLE CULBU 4C E	59
TAPA DE BALANCI 6C G	ROKER COVER 6C P	COUVERCLE CULBU 6C E	60
TAPA DE BALANCI 4C D	ROKER COVER 4C D	COUVERCLE CULBU 4C D	61
TAPA BALA 4C D TURBO	ROKER COV 4C D TURBO	COUVERCLE 4C D TURBO	62
SEPARADOR 4C D TURBO	OIL SPACE 4C D TURBO	ENTRETOIS 4C D TURBO	63
TUBERIAS 4C D TURBO	LUBRICATI 4C D TURBO	TUYAUS DE 4C D TURBO	64
TAPA DE BALANCI 6C D	ROKER COVER 6C D	COUVERCLE CULBU 6C D	65
TAPA LATERAL 4C G	SIDE COVER 4C P	COUVERCLE LATER 4C E	66
TAPA LATERAL 6C G	SIDE COVER 6C P	COUVERCLE LATER 6C E	67
TAPA LATERAL 4C D	SIDE COVER 4C D	COUVERCLE LATER 4C D	68
TAPA LATE 4C D TURBO	SIDE COVE 4C D TURBO	COUVERCLE 4C D TURBO	69
TAPA LATERAL 6C D	SIDE COVER 6C D	COUVERCLE LATER 6C D	70
CARTER DE ACEITE 4C	CRANKCASE 4C	CARTER 4C	71
CARTER DE ACEITE 6C	CRANKCASE 6C	CARTER 6C	72

020001
020005
020101



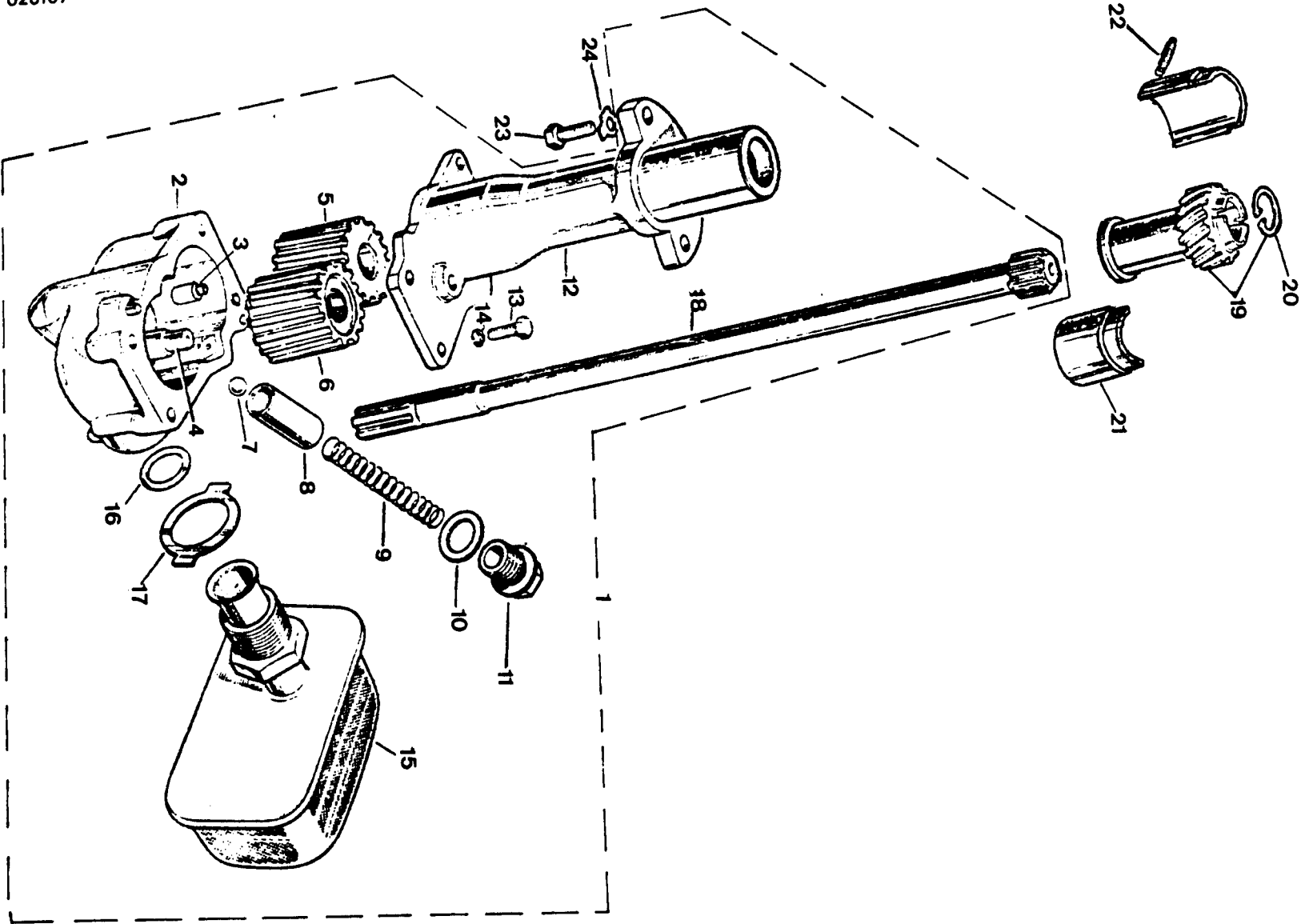
PUBLICACION N 880013
EDICION N 1

GRUPO=02 ENGRASE
GROUP=02 LUBRICATION
GROUPE=02 GRAISSAGE

SUBGRUPO=BOMBA DE ACEITE 4C G
SUBGROUP=OIL PUMB 4C P
SUBGROUPE=POMPE A HUILE 4C E

N.FIG	N.PIEZA	CAN	DENOMINACION	DESCRIPTION	DENOMINATION	C H A S I S
PLATE	PARTNUMBER	QTY				
N.FIG	N.PIECE	OUT				
	ERC5531	1	BOMBA ACEITE	OIL PUMP	POMPE D'HUILE	
1	513641	1	CUERPO BOMBA	PUMP HOUSING	CORP DE POMPE	
2	236257	1	FIJA	DOWEL	TIGE	
3	502219	1	EJE	SHAFT	AXE	
4	ERC5533	1	PINON	PINION	PIGNON	
5	ERC5532	1	PINON	PINION	PIGNON	
6	3748	1	BOLA	BALL	BILL	
7	273711	1	EMBOLO	PISTON	PISTON	
8	564456	1	MUELLE	SPRING	RESSORT	
9	232044	1	ARANDELA	WASHER	RONDELLE	
10	549919	1	TAPON	CORE PLUG	BOUCHON	
11	513639	1	TAPA	COVER	COUVERCLE	
12	182118	4	TORNILLO	BOLT	BOULON	
13	3075	4	ARANDELA	WASHER	RONDELLE	
14	247664	1	FILTRO	FILTER	FILTRE	
15	244488	1	ANILLO	RING	ANNEAU	
16	244487	1	ARANDELA	WASHER	RONDELLE	
17	511680	1	EJE	SHAFT	AXE	
18	541181	1	ENGRANAJE VERTICAL	VERTICAL GEAR	ENGRANAJE VERTICAL	
19	189442	1	ANILLO	RING	ANNEAU	
20	522745	1	CASQUILLO	BUSH	BAGUE	
21	530178	1	ARANDELA	WASHER	RONDELLE	
22	530179	1	ANILLO	RING	ANNEAU	
23	524769	1	TORNILLO	BOLT	BOULON	
24	182103	2	TORNILLO	BOLT	BOULON	
25	247665	2	FIADOR	CATCH	ATTACHP	

020104
020107



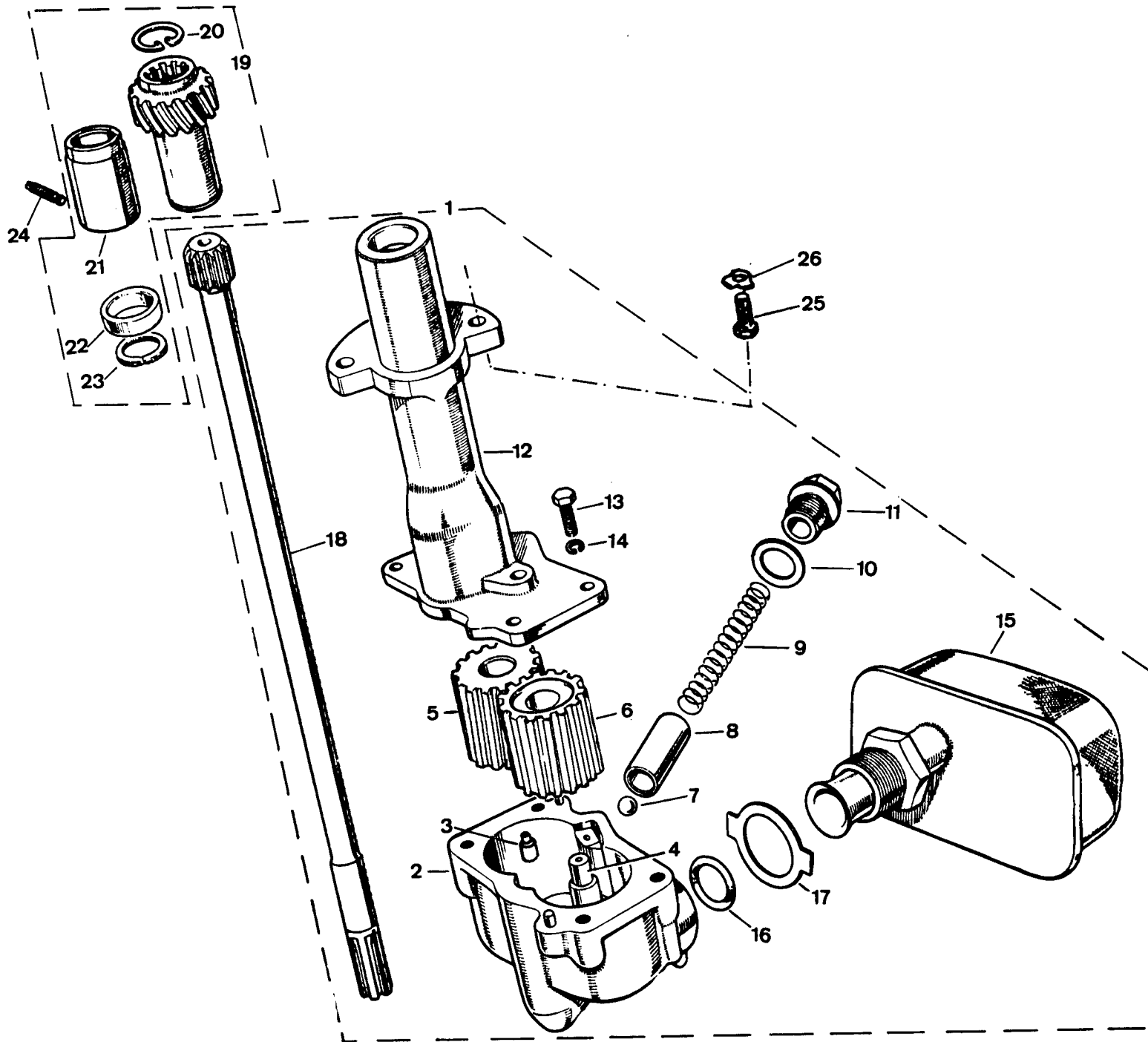
PUBLICACION N 880013
EDICION N 1

GRUPO=02 ENGRASE
GROUP=02 LUBRICATION
GROUPE=02 GRAISSAGE

SUBGRUPO=BOMBA DE ACEITE 4C D
SUBGROUP=OIL PUMB 4C D
SUBGROUPE=POMPE A HUILE 4C D

FIG N.PIEZA	CAN				
PLATE PARTNUMBER	QTY				
FIG N.PIECE	OUT	DENOMINACION	DESCRIPTION	DENOMINATION	C H A S I S
1	ERC5531	1 BOMBA ACITE	OIL PUMP	POMPE A HUILE	
2	513641	1 CUERPO BOMBA	PUMP HOUSING	CORP DE POMPE	
3	236257	1 FIJA	DOWEL	TIGE	
4	502209	1 EJE	SHAFT	AXE	
5	ERC5533	1 PI/ON	PINION	PIGNON	
6	ERC5532	1 PI/ON	PINION	PIGNON	
7	3748	1 BOLA	BALL	BILL	
8	273711	1 EMBOLO	PISTON	PISTON	
9	564456	1 MUELLE	SPRING	RESSORT	
10	232044	1 ARANDELA	WASHER	RONDELLE	
11	549909	1 TAPON	CORE PLUG	BOUCHON	
12	513639	1 TAPA	COVER	COUVERCLE	
13	182118	4 TORNILLO	BOLT	BOULON	
14	3075	4 ARANDELA	WASHER	RONDELLE	
15	247664	1 FILTRO	FILTER	FILTRE	
16	244488	1 ANILLO	RING	ANNEAU	
17	244487	1 ARANDELA	WASHER	RONDELLE	
18	511680	1 EJE	SHAFT	AXE	
19	503266	1 ENGRANAJE VERTICAL	VERTICAL GEAR	ENGRANAJE VERTICAL	
20	189442	1 ANILLO	RING	ANNEAU	
21	247653	1 CASQUILLO	BUSH	BAGUE	
22	524769	1 TORNILLO	SCREW	VIS	
23	182120	2 TORNILLO	SCREW	VIS	
24	247665	2 FIADOR	CATCH	ATTACHP	

020009
020116
020110
020112

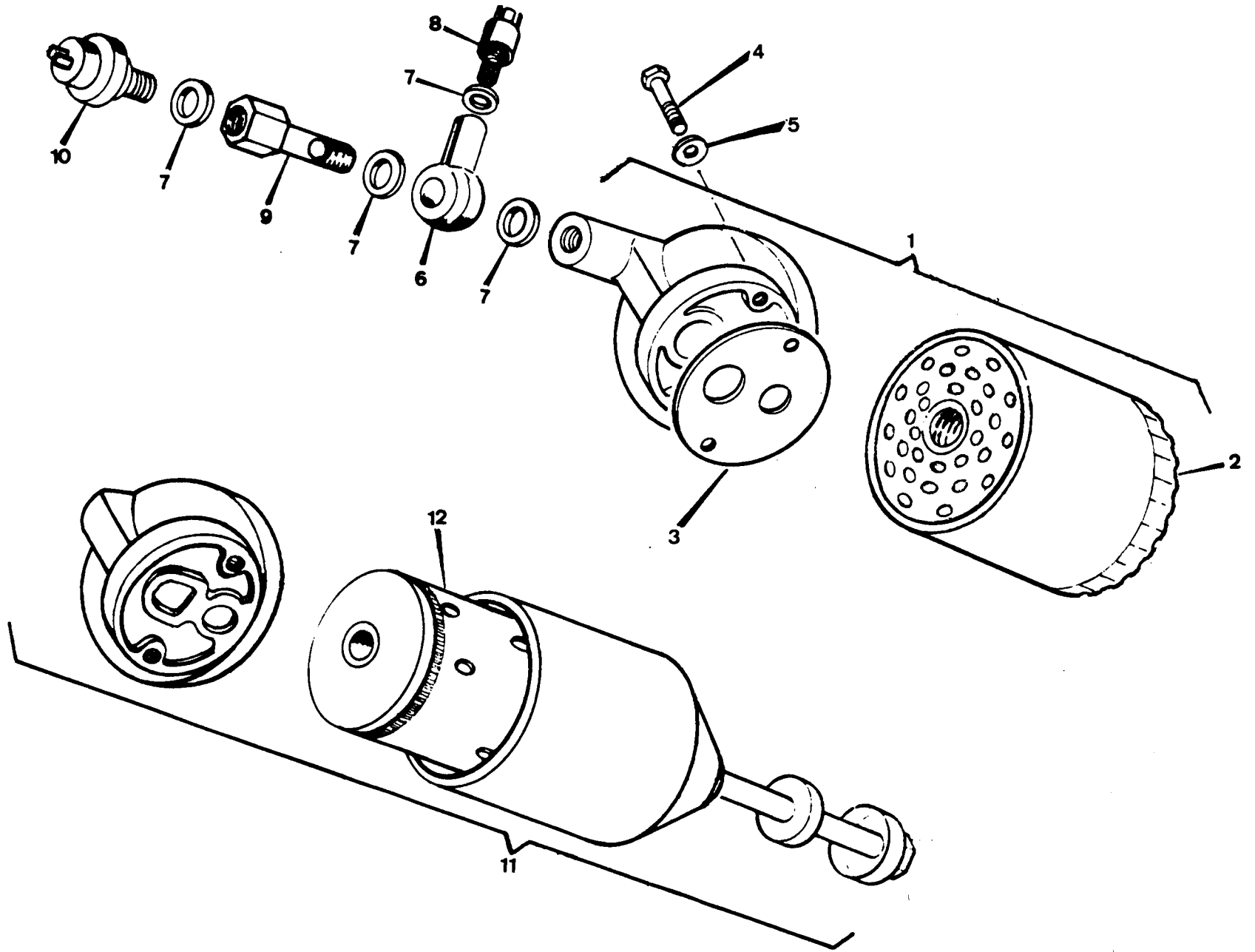


PUBLICACION N 88 J213
EDICION N 1

GRUPO=12 ENGRASE
GRUPO=12 LUBRICATION
GRUPO=12 GRAISSAGE

SUBGRUPO=BOCMA 4C D TURBO 6C
SUBGRUPO=OIL PU 4C D TUR 6C
SUBGRUPO= POMPE 4C D TURBO 6C

N.FIG PLATE N.FIG	N.PIEZA PARTILMBER N.PIECE	CAN QTY OUT	DENOMINACION	DESCRIPTION	DENOMINATION	C H A S I S
1	513641F1	1	BOMBA DE ACEITE	OIL PUMP	POMPE A HUILE	
2	513641K1	1	CUERPO BOMBA	PUMP HOUSING	CORP DE POMPE	
3	236257	1	FIJA	DOWEL	TIGE	
4	502209	1	EJE	SHAFT	AXE	
5	112527	1	PI/ON	PINION	PIGNON	
6	112528	1	PI/ON	PINION	PIGNON	
7	3748	1	BOLA	BALL	BILL	
8	273711	1	EMBOLLO	PISTON	PISTON	
9	564456	1	MUELLE	SPRING	RESSORT	
10	232044	1	ARANDELA	WASHER	RONDELLE	
11	549909	1	TAPON	PLUG	BOUCHON	
12	513639	1	TAPA	COVER	COUVERCLE	
13	162118	4	TORNILLO	BOLT	BOULON	
14	3075	4	ARANDELA	WASHER	RONDELLE	
15	247664	1	FILTRO	FILTER	FILTRE	
16	244483	1	ANILLO	RING	ANNEAU	
17	244487	1	ARANDELA	WASHER	RONDELLE	
18	511687	1	EJE	SHAFT	AXE	
19	541181	1	ENGRANAJE VERTICAL	VERTICAL GEAR	ENGRANAJE VERTICAL	
20	139442	1	ANILLO	RING	ANNEAU	
21	522745	1	CASQUILLO	BUSH	BAGUE	
22	530178	1	ARANDELA	WASHER	RONDELLE	
23	530179	1	ANILLO	RING	ANNEAU	
24	524769	1	TORNILLO	SCREW	VIS	
25	182103	2	TORNILLO	SCREW	VIS	
26	247665	2	FIADOR	CATCH	ATTACH	

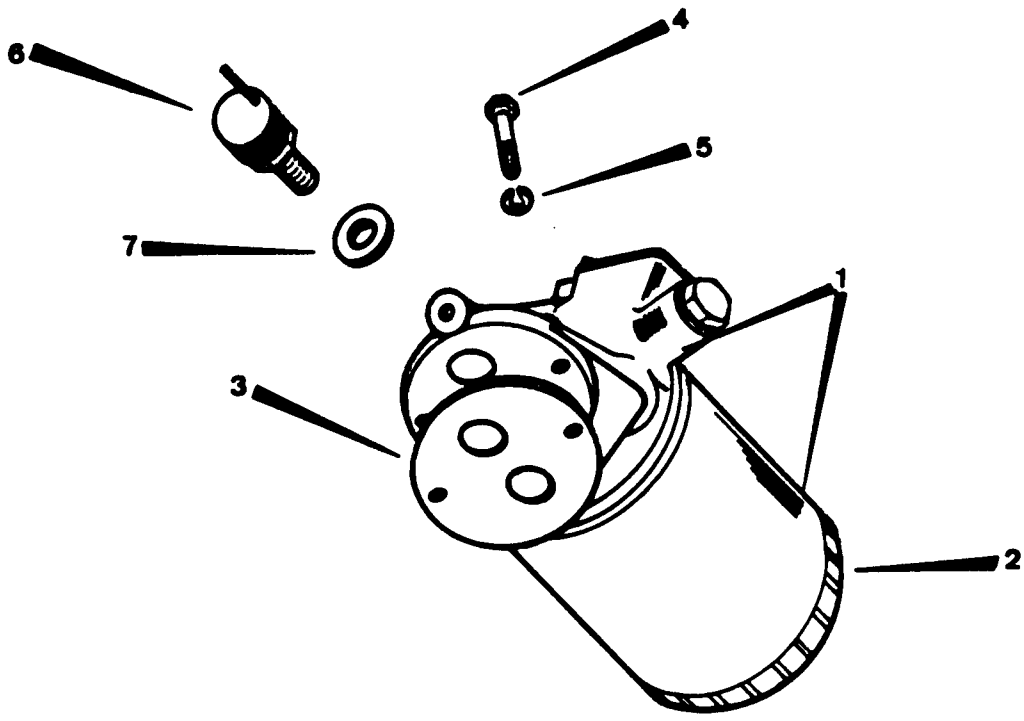


PUBLICACION N 880513
EDICION N 1

GRUPO=02 ENGRASE
GROUP=02 LUBRICATION
GROUPE=02 GRAISSAGE

SUBGRUPO=FILTRO DE ACEITE
SUBGROUP=OIL FILTER
SUBGROUPE=FILTRE DE HUILE

N.FIG PLATE N.FIG	N.PIEZA PARTNUMBER N.PIECE	CAN QTY OUT	DENOMINACION	DESCRIPTION	DENOMINACION	C H A S I S
1	112486	1	FILTRO ACEITE	OIL FILTER	FILTRE A HUILE	
2	193319	1	ELEMENTO PUROLATOR	PUROLATOR ELEMENT	ELEMENT PUROLATOR	
	194342	1	ELEMENTO MANN	MANN ELEMENT	ELEMENT MANN	
3	598354	1	JUNTA	JOINT	JOINT	
4	183262	2	TORNILLO	BOLT	BOULON	
5	368L	2	ARANDELA	WASHER	RONDELLE	
6	112451	1	RACORD	RACORD	RACCORD	
7	232L39	4	ARANDELA	WASHER	RONDELLE	
8	519864E1	1	INTERRUPTOR	OIL PRESURE SWITCH	COMMUTATEUR	
9	587666K1	1	ADAPTADOR	ADAPTOR	ADAPTATEUR	
10	555704K1	1	TRANSMISOR	TRANSMITTER	TRANSMISEUR	
11	537229	1	FILTRO ACEITE	OIL FILTER	FILTRE A HUILE	
12	GFE130	1	ELEMENTO DE FILTRO	ELEMENT FOR FILTER	ELEMENT DE FILTRE	

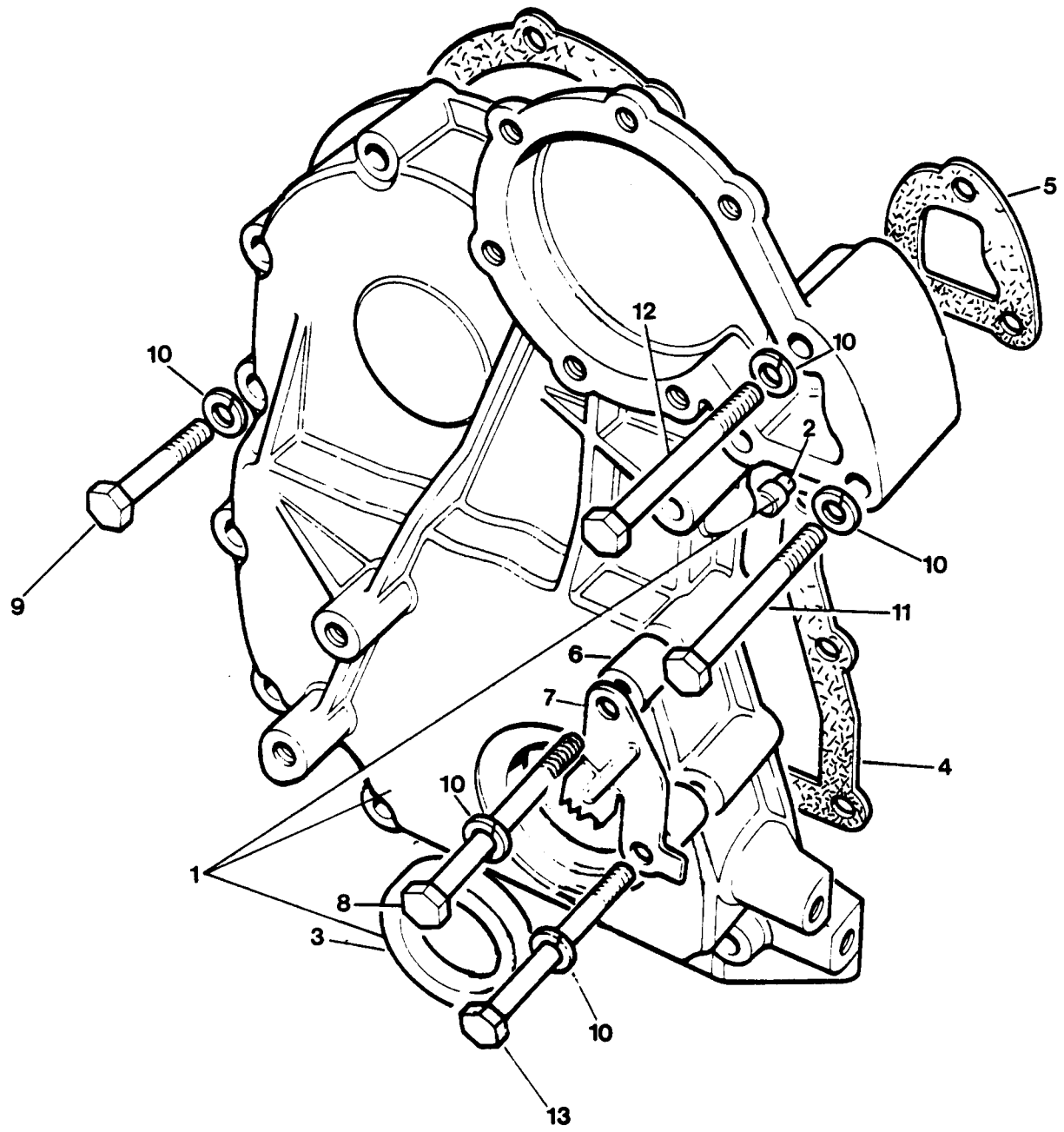


PUBLICACION N 881313
EDICION N 1

GRUPO=02 ENGRASE
GROUP=02 LUBRICATION
GROUPE=02 GRAISSAGE

SUBGRUPO=FILTRO DE 4C D TURBO
SUBGROUP=OIL FILT 4C D TURBO
SUBGROUPE=FILTRE DE 4C C TURBO

N.FIG	N.PIEZA	CAN	DENOMINACION	DESCRIPTION	DENOMINATION	C H A S I S
PLATE	PARTNUMBER	QTY				
N.FIG	N.PIECE	OUT				
1	118523	1	FILTRO DE ACEITE	OIL FILTER	FILTRE A HUILE	
2	194342	1	ELEMENTO DE FIL MANN	ELEMENT FOR FIL MANN	ELEMENT DE FILT MANN	
3	598354	1	JUNTA	JOINT	JOINT	
4	183262	2	TORNILLO	BOLT	BOULON	
5	3680	2	ARANDELA	WASHER	RONDELLE	
6	519864E1	1	TRANSMISOR	OIL PRESURE SWITCH	COMMUTATEUR	
7	232039	1	ARANDELA	WASHER	RONDELLE	



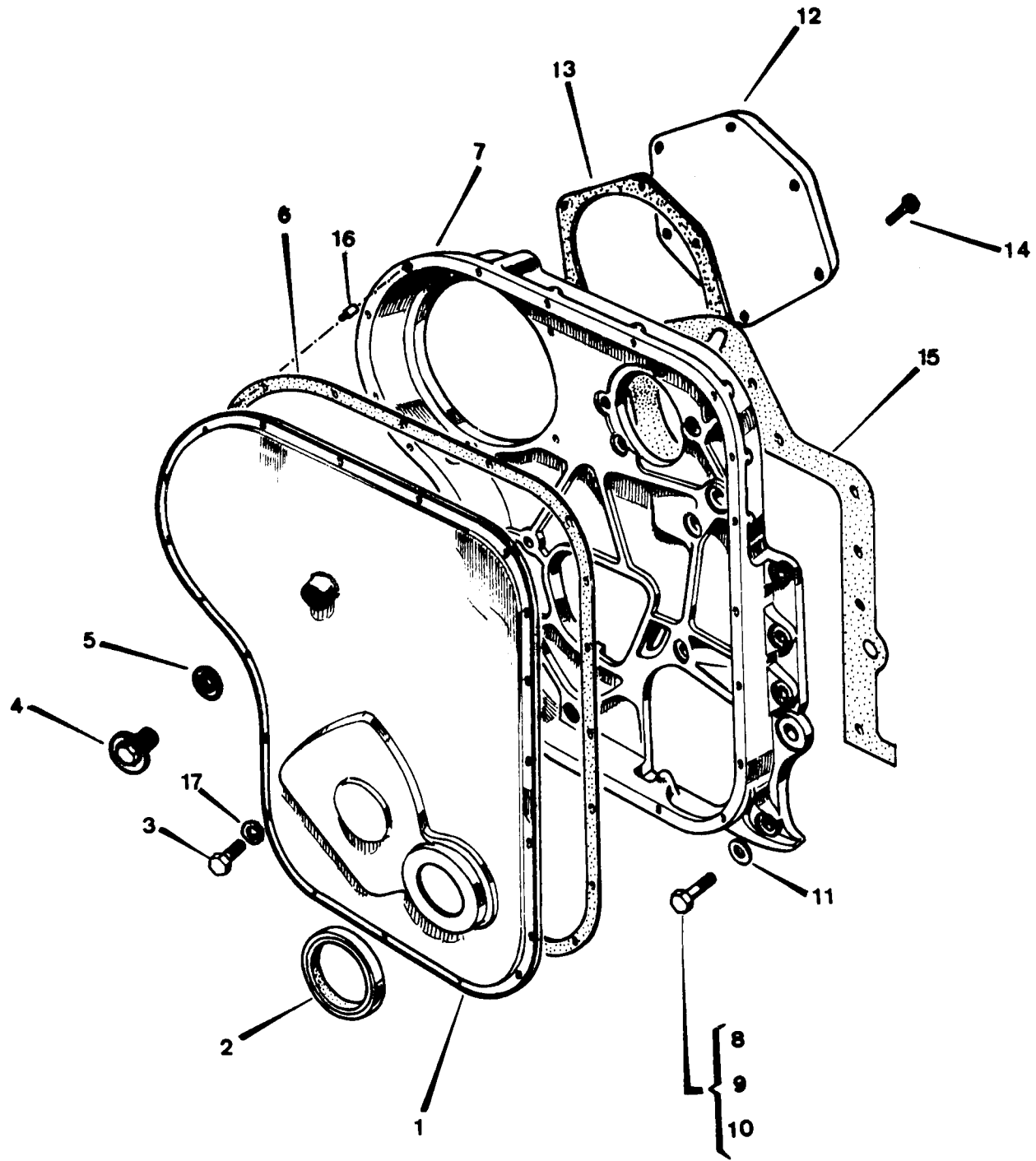
PUBLICACION N 880513
EDICION N 1

GRUPO=02 ENGRASE
GROUP=02 LUBRICATION
GROUPE=02 GRAISSAGE

SUBGRUPO=TAPA DELANTERA 4C G
SUBGROUP=FRONT COVER 4C P
SUBGROUPE=COUVERCLE AVANT 4C E

N.FIG	N.PIEZA	CAN	DENOMINACION	DESCRIPTION	DENOMINATION	C H A S I S
PLATE	PARTNUMBER	QTY				
N.FIG	N.PIECE	OUT				
1	554541K1	1	TAPA DELANTERA	FRONT COVER	COUVERCLE DISTRIB	
2	6395	2	FIJA	DOWEL	TIGE	
3	516078	1	RETEN	RETAINER	ARRETOIR	
4	538039	1	JUNTA	JOINT	JOINT	
5	538038	1	JUNTA	JOINT	JOINT	
6	574948	2	SEPARADOR	SPACER	ENTRETOISE	
7	ERC5361	1	INDICE	INDEX	INDEX	
8	185129	1	TORNILLO	BOLT	BOULON	
9	182135	7	TORNILLO	BOLT	BOULON	
10	3075	13	ARANDELA	WASHER	RONDELLE	
11	182128	1	TORNILLO	BOLT	BOULON	
12	185100	2	TORNILLO	BOLT	BOULON	
13	182142	1	TORNILLO	BOLT	BOULON	

020013
020310

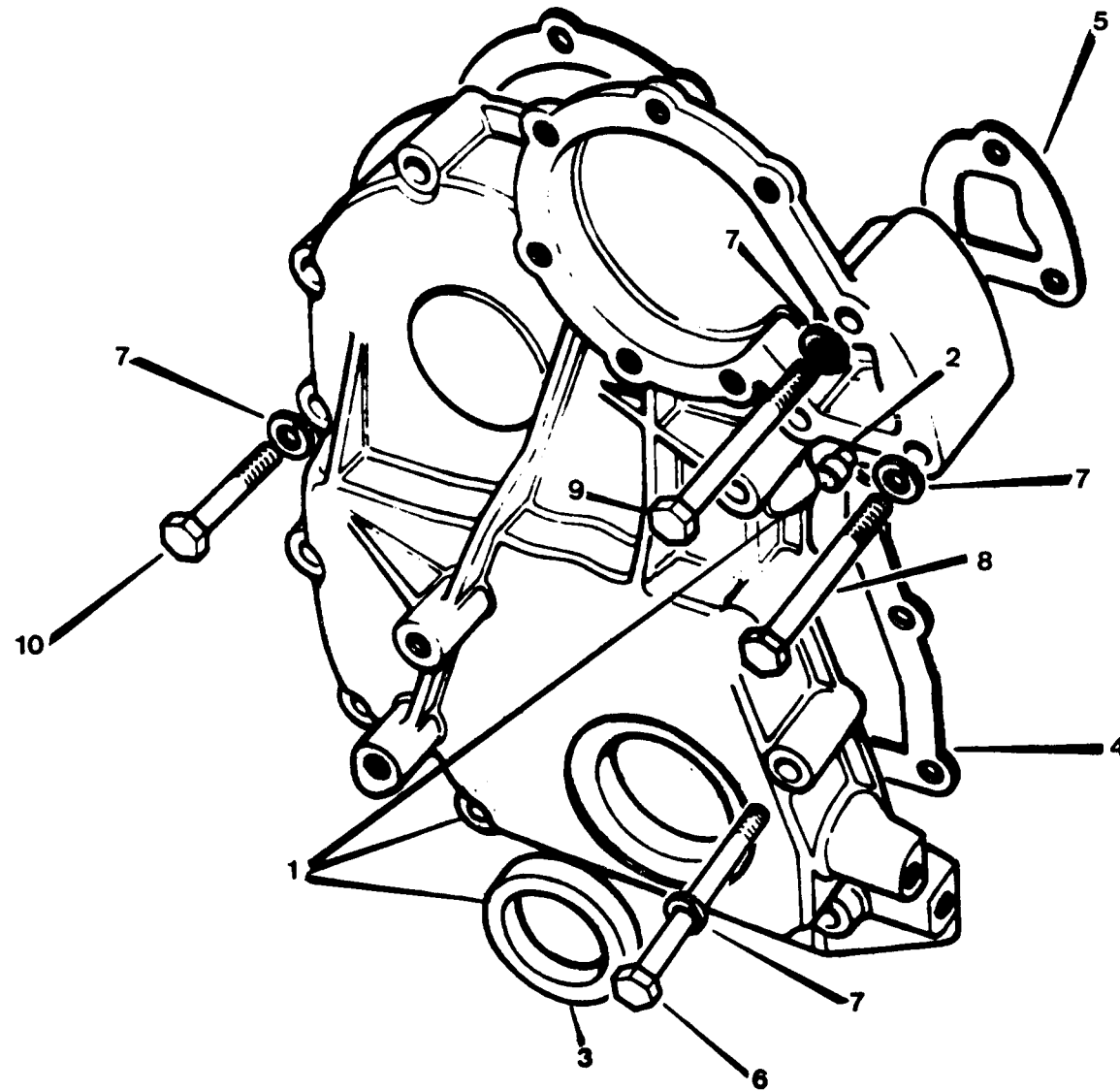


PUBLICACION N 38 J013
EDICION N 1

GRUPO=02 ENGRASE
GRUPE=02 LUBRICATION
GROUPE=02 GRAISSAGE

SUBGRUPO=TAPA DELANTERA 6C G
SUBGRUPE=FRONT COVER 6C P
SUBGROUPE=COUVERCLE AVANT 6C E

N.FIG	N.PIEZA	CAN	DENOMINACION	DESCRIPTION	DENOMINATION	C H A S I S
PLATE	PARTNUMBER	QTY				
N.FIG	N.PIECE	OUT				
1	GC4055	1	TAPA	COVER	COUVERCLE	
2	111137	1	RETEN	RETAINER	ARRETOIR	
3	180234	2	TORNILLO	BOLT	BOULON	
	253007	18	TORNILLO	BOLT	BOULON	
4	533358	1	TAPON	PLUG	BOUCHON	
5	06009	1	ARANDELA	WASHER	RONDELLE	
6	GC4046	1	JUNTA	JOINT	JOINT	
7	112535	1	CARTER	CRANKCASE	CARTER	
8	182103	7	TORNILLO	BOLT	BOULON	
9	182118	1	TORNILLO	BOLT	BOULON	
10	182125	4	TORNILLO	BOLT	BOULON	
11	2550	12	ARANDELA	WASHER	RONDELLE	
12	GC4119	1	PLACA	PLATE	PLAQUE	
13	GC4067	1	JUNTA	JOINT	JOINT	
14	183105	6	TORNILLO	BOLT	BOULON	
15	GC4044	1	JUNTA	JOINT	JOINT	
16	111279	2	FIJA	DOVEL	TIGE	
17	3946	2	ARANDELA	WASHER	RONDELLE	

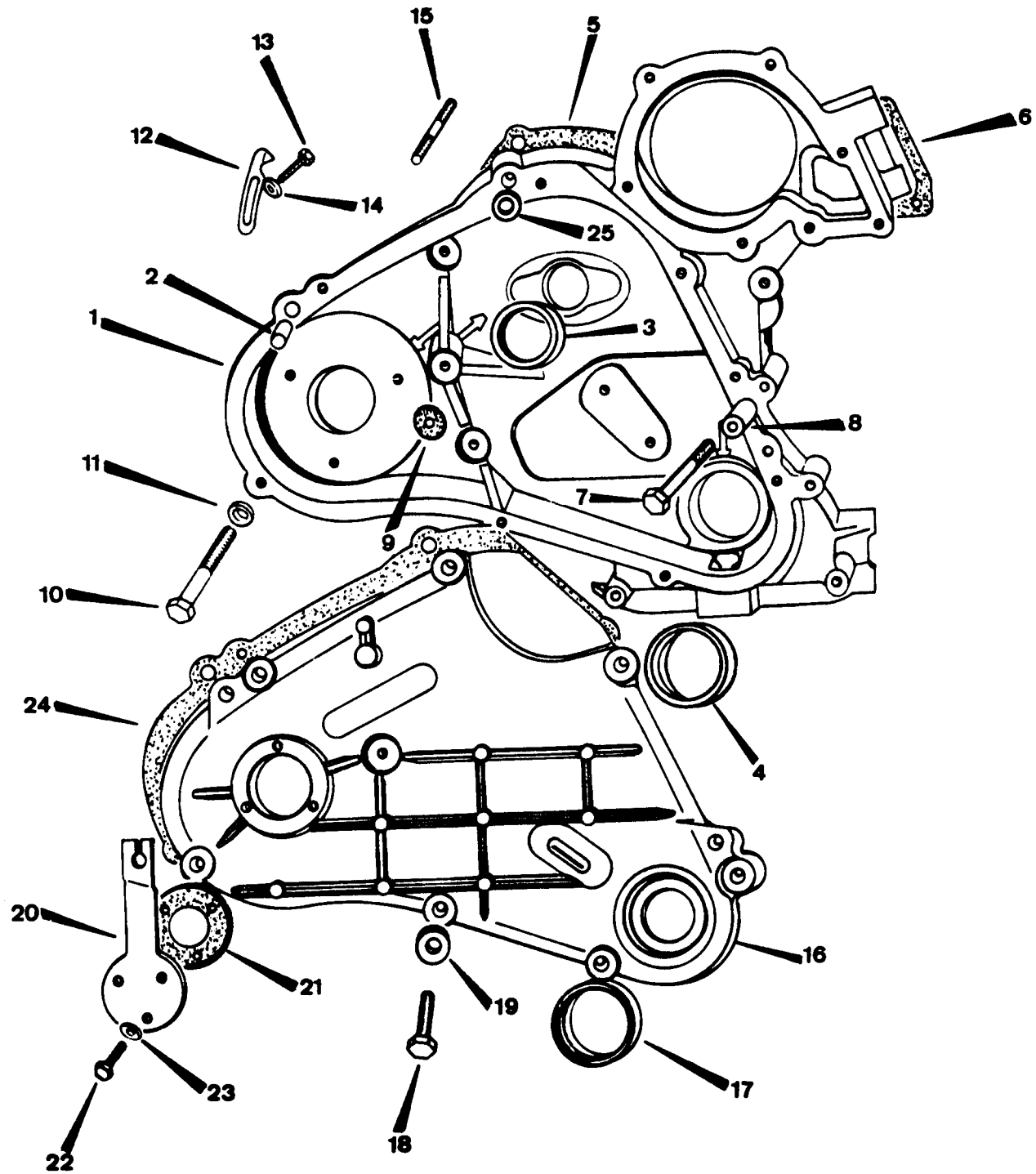


PUBLICACION N 380013
EDICION N 1

GRUPO=02 ENGRASE
GROUP=02 LUBRICATION
GROUPE=02 GRAISSAGE

SUBGRUPO=TAPA DELANTERA 4C D
SUBGROUP=FRONT COVER 4C D
SUBGROUPE=COUVERCLE AVANT 4C D

N.FIG	N.PIEZA	CAN	DENOMINACION	DESCRIPTION	DENOMINATION	C H A S I S
PLATE	PARTNUMBER	QTY				
N.FIG	N.PIECE	OUT				
1	554541K1	1	TAPA DEL ANTERA	FRONT COVER	COUVERCLE	
2	6395	2	FIJA	DOWEL	TIGE	
3	516028	1	RETEN	RETAINER	ARRETOIR	
4	538039	1	JUNTA	JOINT	JOINT	
5	538038	1	JUNTA	JOINT	JOINT	
6	183116	1	TORNILLO	BOLT	BOULON	
7	3075	13	ARANDELA	WASHER	RONDELLE	
8	182128	1	TORNILLO	BOLT	BOULON	
9	185100	3	TORNILLO	BOLT	BOULON	
10	182135	7	TORNILLO	BOLT	BOULON	

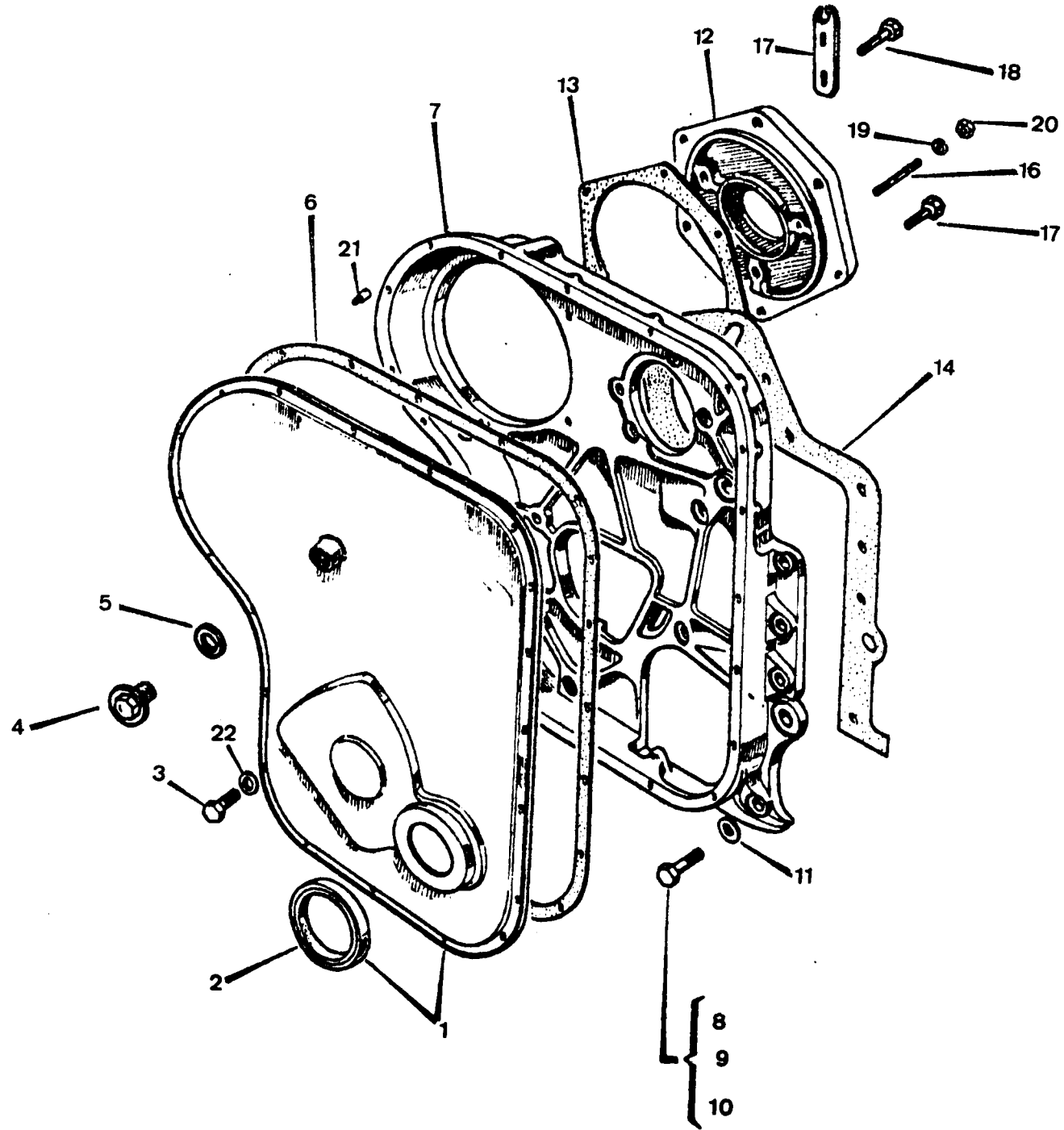


PUBLICACION N 98 J013
EDICION N 1

GRUPO=02 ENGRASE
GROUP=02 LUBRICATION
GROUPE=02 GRAISSAGE

SUBGRUPO=TAPA DELA 4C D TURBO
SUBGROUP=FRONT COV 4C D TURBO
SUBGROUPE=COUVERCLE 4C D TURBO

N.FIG	N.PIEZA	CAN	DENOMINACION	DESCRIPTION	DENOMINACION	C H A S I S
PLATE	PARTNUMBER	QTY				
N.FIG	N.PIECE	OUT				
1	113055	1	CARTER	CRANKCASE	CARTER	
2	6395	4	FIJA	DOWEL	TIGE	
3	ERC7946	1	RETEN	RETAINER	ARRETOIR	
4	ERC7947	1	RETEN	RETAINER	ARRETOIR	
5	ERC8864	1	JUNTA	JOINT	JOINT	
6	112986	1	JUNTA	JOINT	JOINT	
7	182159	1	TORNILLO	BOLT	BOULON	
8	ERC7974	1	DISTANCIADOR	SPACER	ENTRETOISE	
9	113166	1	JUNTA	JOINT	JOINT	
10	182117	2	TORNILLO	BOLT	BOULON	
	182118	1	TORNILLO	BOLT	BOULON	
	182127	4	TORNILLO	BOLT	BOULON	
11	WA108051	8	ARANDELA	WASHER	RONDELLE	
	113193	1	ARANDELA	WASHER	RONDELLE	
12	113157	1	INDICE	INDEX	INDEX	
13	SH105121	2	TORNILLO	BOLT	BOULON	
14	184231	2	ARANDELA	WASHER	RONDELLE	
15	113549	3	ESPARRAGO	STUD	GOUJON	
16	ERC6836	1	TAPA	COVER	COUVERCLE	
17	ETC4154	1	RETEN	RETAINER	ARRETOIR	
18	SH108251	1	TORNILLO	BOLT	BOULON	
	SH108301	7	TORNILLO	BOLT	BOULON	
19	WA108151	8	ARANDELA	WASHER	RONDELLE	
20	163686	1	TAPA	COVER	COUVERCLE	
21	ERC9201	1	JUNTA	JOINT	JOINT	
22	SH106161	3	TORNILLO	SCREW	VIS	
23	WL106001	3	ARANDELA	WASHER	RONDELLE	
24	ERC9516	1	JUNTA	JOINT	JOINT	



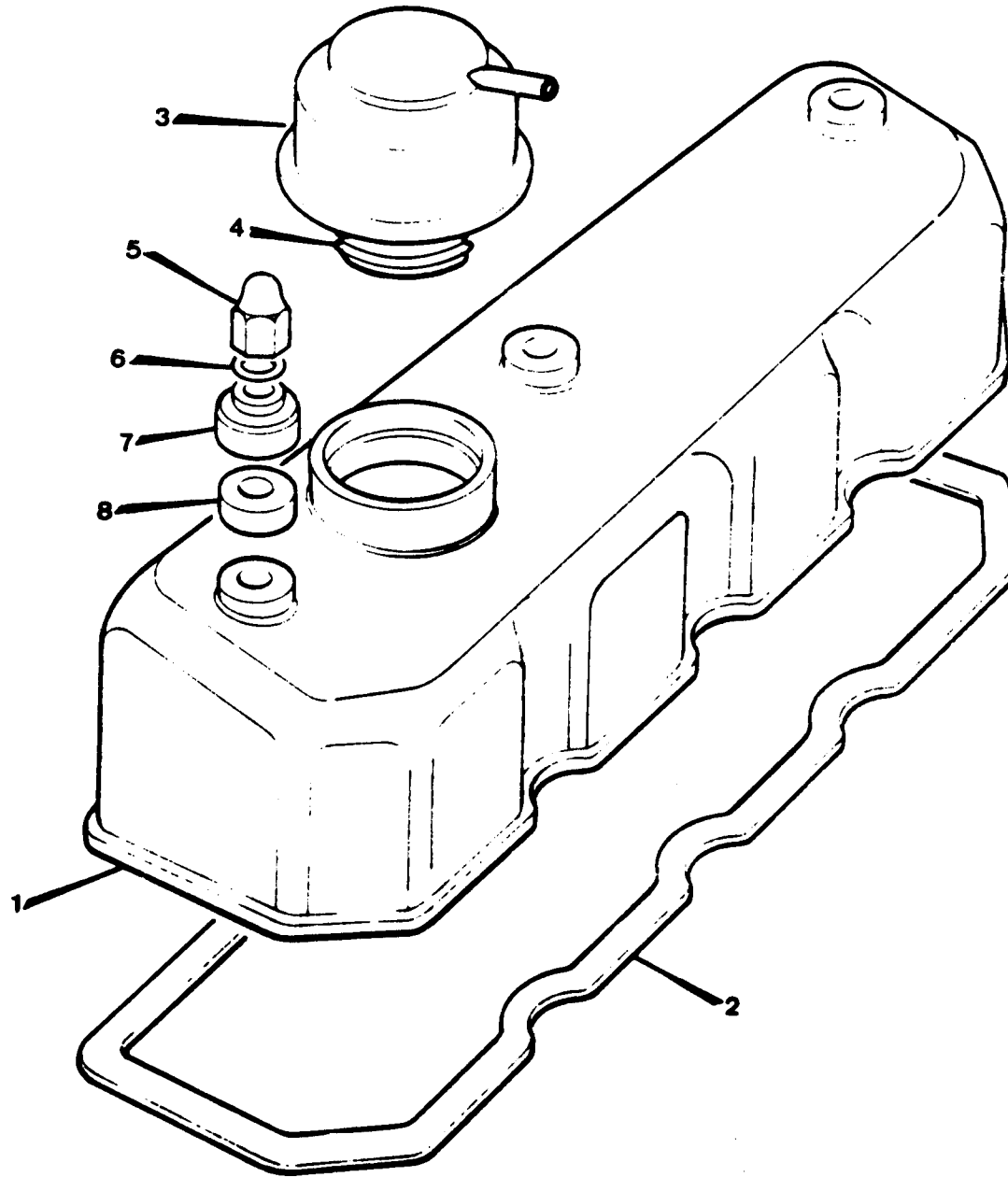
PUBLICACION N 920013
EDICION N 1

GRUPO=02 ENGRASE
GROUP=02 LUBRICATION
GROUPE=02 GRAISSAGE

SUBGRUPO=TAPA DELANTERA 6C D
SUBGROUP=FRONT COVER 6C D
SUBGROUPE=COUVERCLE AVANT 6C D

N.FIG	N.PIEZA	CAN	DENOMINACION	DESCRIPTION	DENOMINATION	C H A S I S
PLATE	PARTNUMBER	QTY				
N.FIG	N.PIECE	OUT				
1	604055	1	TAPA	COVER	COUVERCLE	
2	111132	1	RETEN	RETAINER	ARRETOIR	
3	180234	2	TORNILLO	BOLT	BOULON	
	253007	18	TORNILLO	BOLT	BOULON	
4	533358	1	TAPON	PLUG	BOUCHON	
5	06009	1	ARANDELA	WASHER	RONDELLE	
6	604046	1	JUNTA	JOINT	JOINT	
7	112535	1	CARTER	CRANKCASE	CARTER	
8	182103	7	TORNILLO	BOLT	BOULON	
9	182118	1	TORNILLO	BOLT	BOULON	
10	182125	4	TORNILLO	BOLT	BOULON	
11	2550	12	ARANDELA	WASHER	RONDELLE	
12	111187	1	PLACA	PLATE	PLAQUE	
13	604067	1	JUNTA	JOINT	JOINT	
14	604044	1	JUNTA	JOINT	JOINT	
15	187172	3	TORNILLO	BOLT	BOULON	
16	252623	3	ESPARRAGO	STUD	GOUJON	
17	712258	1	SOPORTE	BRACKET	SUPPORT	
18	253030	3	TORNILLO	BOLT	BOULON	
19	2550	3	ARANDELA	WASHER	RONDELLE	
20	181181	3	TUERCA	NUT	ECROU	
21	111279	2	FIJA	DOWEL	TIGE	
22	3946	2	ARANDELA	WASHER	RONDELLE	

010005
020404



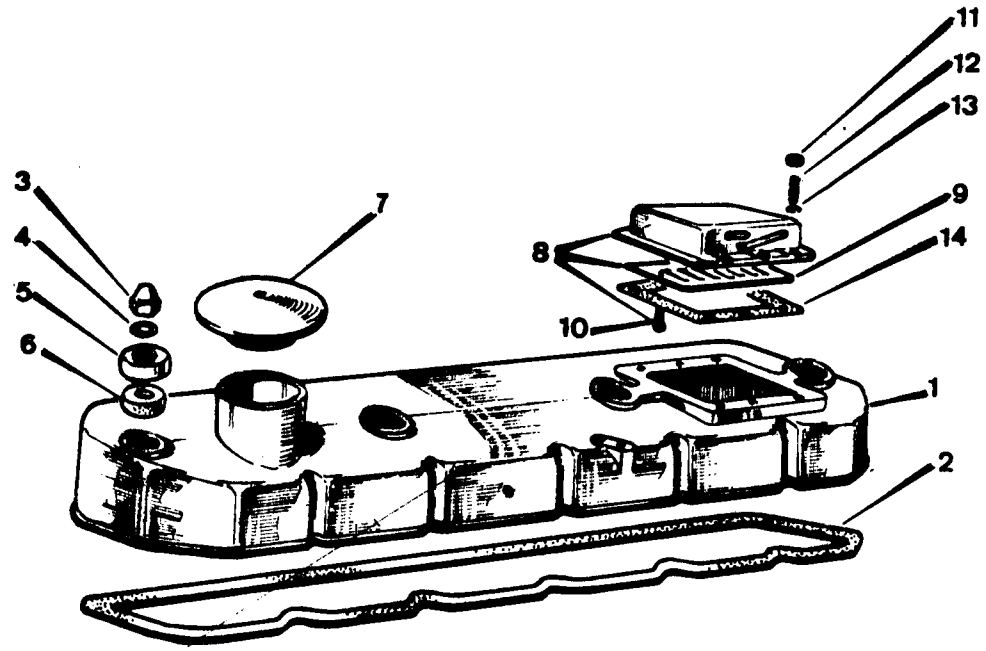
PUBLICACION N 980013
EDICION N 1

GRUPO=02 ENGRASE
GROUP=02 LUBRICATION
GROUPE=02 GRAISSAGE

SUBGRUPO=TAPA DE BALANCI 4C G
SUBGROUP=ROKER COVER 4C P
SUBGROUPE=COUVERCLE CULBU 4C E

N.FIG	N.PIEZA	CAN	DENOMINACION	DESCRIPTION	DENOMINACION	C H A S I S
PLATE	PARTNUMBER	QTY				
N.FIG	N.PIECE	OUT				
1	112698	1	TAPA BALANCINES	ROKER COVER	COUVERCLE CULBUTE	
2	274173	1	JUNTA	JOINT	JOINT	
3	574658K1	1	FILTRO	FILTER	FILTRE	
4	112449	1	GOMA	RUBBER	CAOUTCHOUC	
5	247121	3	TUERCA	NUT	ECROU	
6	184267	3	ARANDELA	WASHER	RONDELLE	
7	247624	3	TAPA	COVER	COUVERCLE	
8	506069	3	ARANDELA	WASHER	RONDELLE	

010018
020410



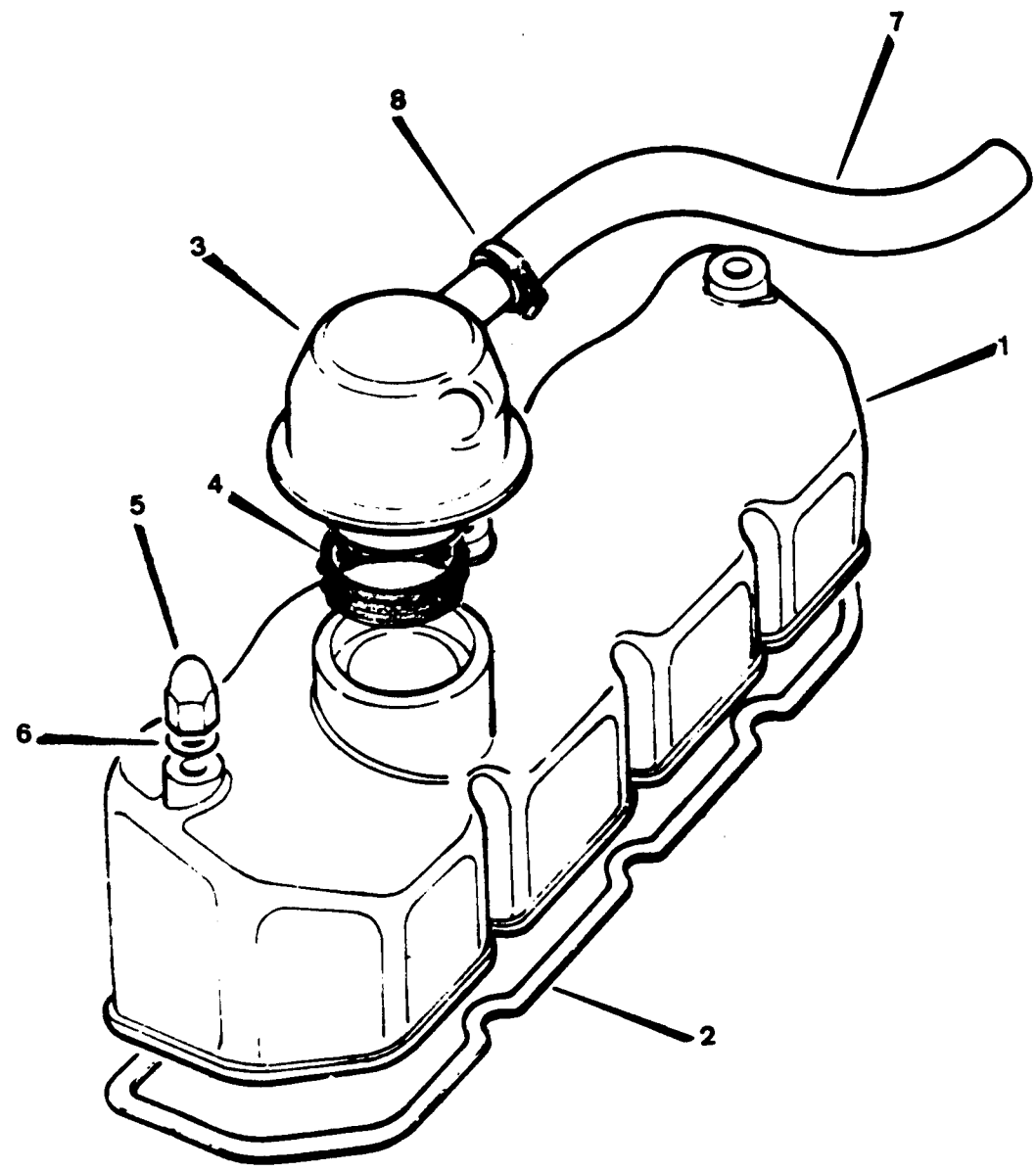
PUBLICACION N 890513
EDICION N 1

GRUPO=02 ENGRASE
GROUP=02 LUBRICATION
GROUPE=02 GRAISSAGE

SUBGRUPO=TAPA DE BALANCI 6C G
SUBGROUP=ROKER COVER 6C P
SUBGROUPE=COUVERCLE CULBU 6C E

N.FIG	N.PIEZA	CAN	DENOMINACION	DESCRIPTION	DENOMINATION	C H A S I S
PLATE	PARTNUMBER	QTY				
N.FIG	N.PIECE	OUT				
1	604116	1	TAPA DE BALANCINES	ROKER COVER	COUVERCLE DE CULBUTE	
2	604118	1	JUNTA	JOINT	JOINT	
3	247121	4	TUERCA	NUT	ECROU	
4	184267	4	ARANDELA	WASHER	RONDELLE	
5	247624	4	TAPA	COVER	COUVERCLE	
6	506069	4	ARANDELA	WASHER	RONDELLE	
7	604073	1	TAPA	COVER	COUVERCLE	
8	117957	1	TAPA	COVER	COUVERCLE	
9	604177	3	PLACA	PLATE	PLAQUE	
	604178	1	PLACA	PLATE	PLAQUE	
10	181291	2	TORNILLO	SCREW	VIS	
11	181184	6	TUERCA	NUT	ECROU	
12	252607	6	ESPARRAGO	STUD	GOUJON	
13	3946	6	ARANDELA	WASHER	RONDELLE	
14	604180	1	JUNTA	JOINT	JOINT	

020417
020418



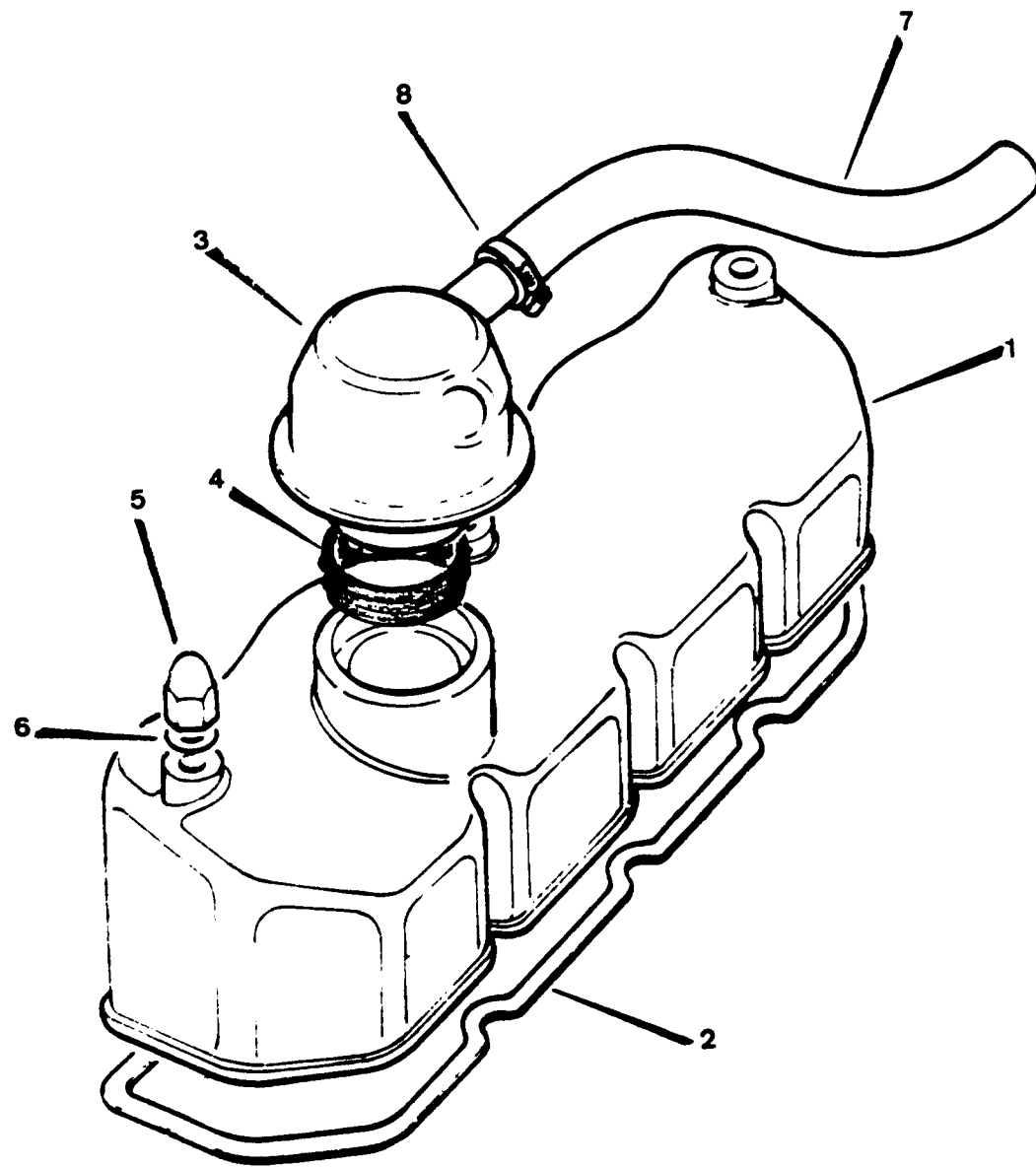
PUBLICACION N 880013
EDICION N 1

GRUPO=02 ENGRASE
GROUP=02 LUBRICATION
GROUPE=02 GRAISSAGE

SUBGRUPO=TAPA DE BALANCI 4C D
SUBGROUP=ROKER COVER 4C D
SUBGROUPE=COUVERCLE CULBU 4C D

N.FIG	N.PIEZA	CAN				
PLATE	PARTNUMBER	QTY				
N.FIG	N.PIECE	OUT	DENOMINACION	DESCRIPTION	DENOMINATION	C H A S I S
1	247584K1	1	TAPA BALANCINES	ROKER COVER	COUVERCLE CULBUTEURS	
2	247606	1	JUNTA	JOINT	JOINT	
3	574658K1	1	FILTRO	FILTER	FILTRE	
4	112449	1	GOMA	RUBBER	CAOUTCHOUC	
5	247121	3	TUERCA	NUT	ECROU	
6	184267	3	ARANDELA	WASHER	RONDELLE	
7	574655G1	1	MANGUITO	HOSE	MANCHON	
8	163406	1	ABRAZADERA	CLAMP	ETRIER	

020417
020418

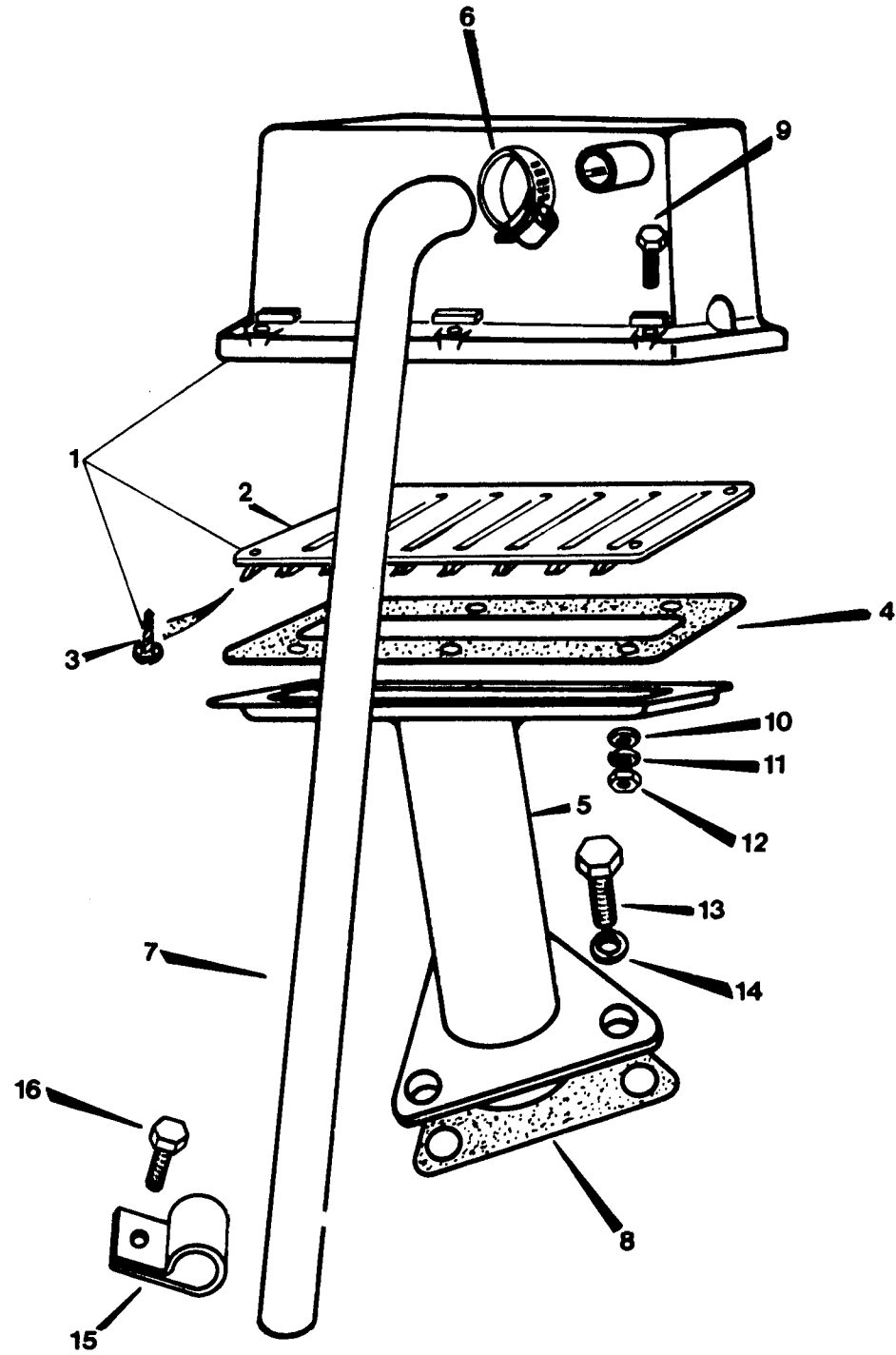


PUBLICACION N 880013
EDICION N 1

GRUPO=02 ENGRASE
GROUP=02 LUBRICATION
GROUPE=02 GRAISSAGE

SUBGRUPO=TAPA BALA 4C D TURBO
SUBGROUP=ROKER COV 4C D TURBO
SUBGROUPE=COUVERCLE 4C D TURBO

N.FIG	N.PIEZA	CAN	DENOMINACION	DESCRIPTION	DENOMINATION	C H A S I S
PLATE	PARTNUMBER	QTY				
N.FIG	N.PIECE	OUT				
1	247584K1	1	TAPA BALANCINES	ROCKER COVER	COUVERCLE CULBUTEURS	
2	247666	1	JUNTA	JOINT	JOINT	
3	118544	1	FILTRO	FILTER	FILTRE	
4	112449	1	GOMA	RUBBER	CAOUTCHOUC	
5	247121	3	TUERCA	NUT	ECROU	
6	273069	3	ARANDELA	WASHER	RONDELLE	
7	113175	1	MANGUITO	HOSE	MANCHON	
8	163406	1	ABRAZADERA	CLAMP	ETRIER	

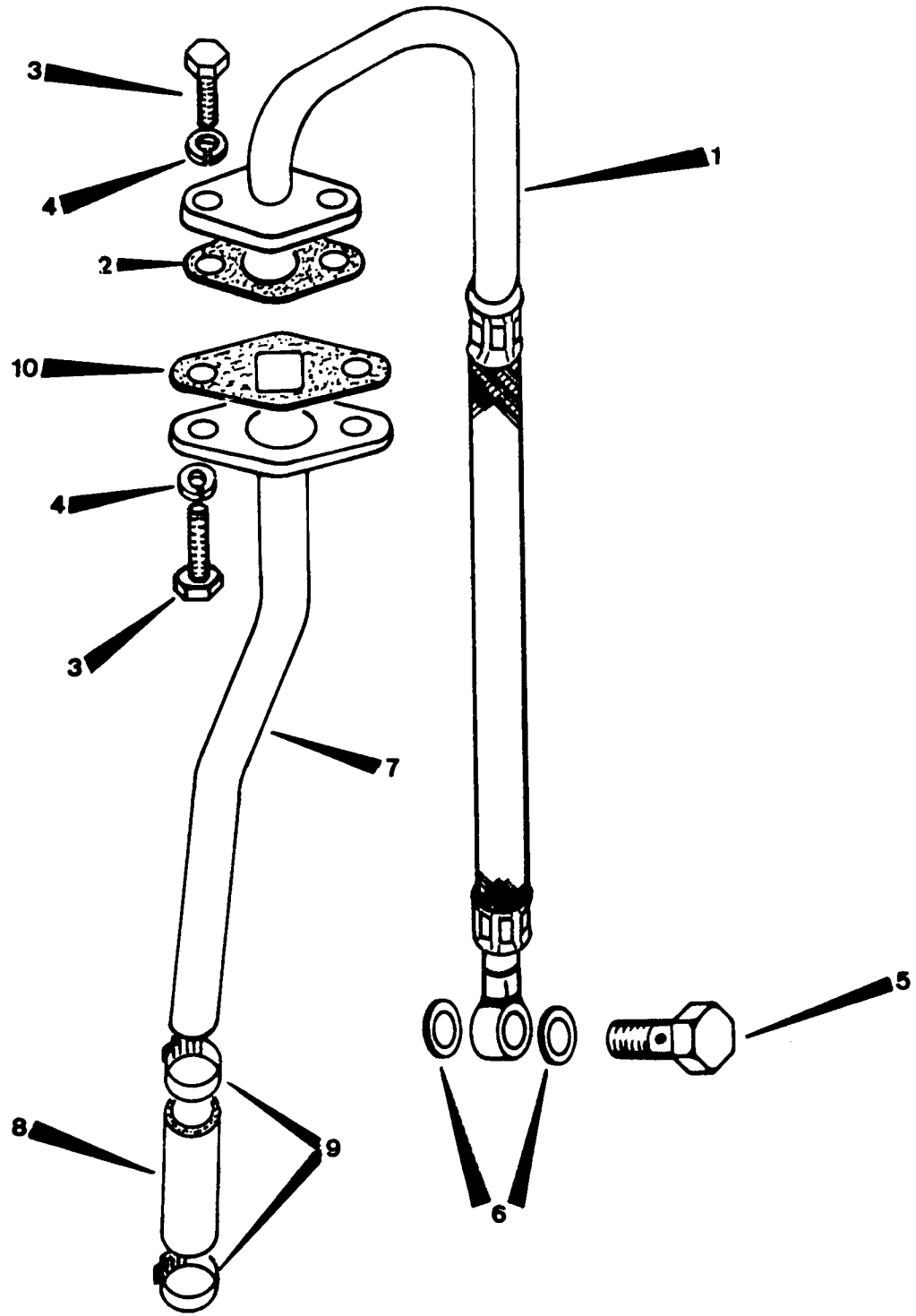


PUBLICACION N 88013
EDICION N 1

GRUPO=02 ENGRASE
GROUP=02 LUBRICATION
GROUPE=02 GRAISSAGE

SUBGRUPO=SEPARADOR 4C D TURBO
SUBGROUP=OIL SPACE 4C D TURBO
SUBGROUPE=ENTRETOIS 4C D TURBO

N.FIG	N.PIEZA	CAN	DENOMINACION	DESCRIPTION	DENOMINATION	C H A S I S
PLATE	PARTNUMBER	QTY				
N.FIG	N.PIECE	OUT				
1	118551	1	CONJ SEPARADOR ACEITE	OIL SEPARATOR ASSY	ENS SEPARATEUR HUILE	
2	604177	3	SEPARADOR ACEITE	OIL SEPARATOR	SEPARATEUR HUILE	
	604178	1	SEPARADOR ACEITE	OIL SEPARATOR	SEPARATEUR HUILE	
3	181291	2	TORNILLO	SCREW	VIS	
4	604180	1	JUNTA	JOINT	JOINT	
5	118546	1	SOPORTE	SUPPORT	SUPPORT	
6	604098	1	ABRAZADERA	CLAMP	ETRIER	
7	113176	1	MANGUITO	SLEEVE	MANCHON	
8	247212	1	JUNTA	JOINT	JOINT	
9	255008	6	TORNILLO	SCREW	VIS	
10	3946	6	ARANDELA	WASHER	RONDELLE	
11	3074	6	ARANDELA	WASHER	RONDELLE	
12	181184	6	TUERCA	NUT	ECROU	
13	182116	3	TORNILLO	BOLT	BOULON	
14	3075	3	ARANDELA	WASHER	RONDELLE	
15	604184	1	CLIP	CLIP	CLIP	
16	184217	1	TORNILLO	BOLT	BOULON	

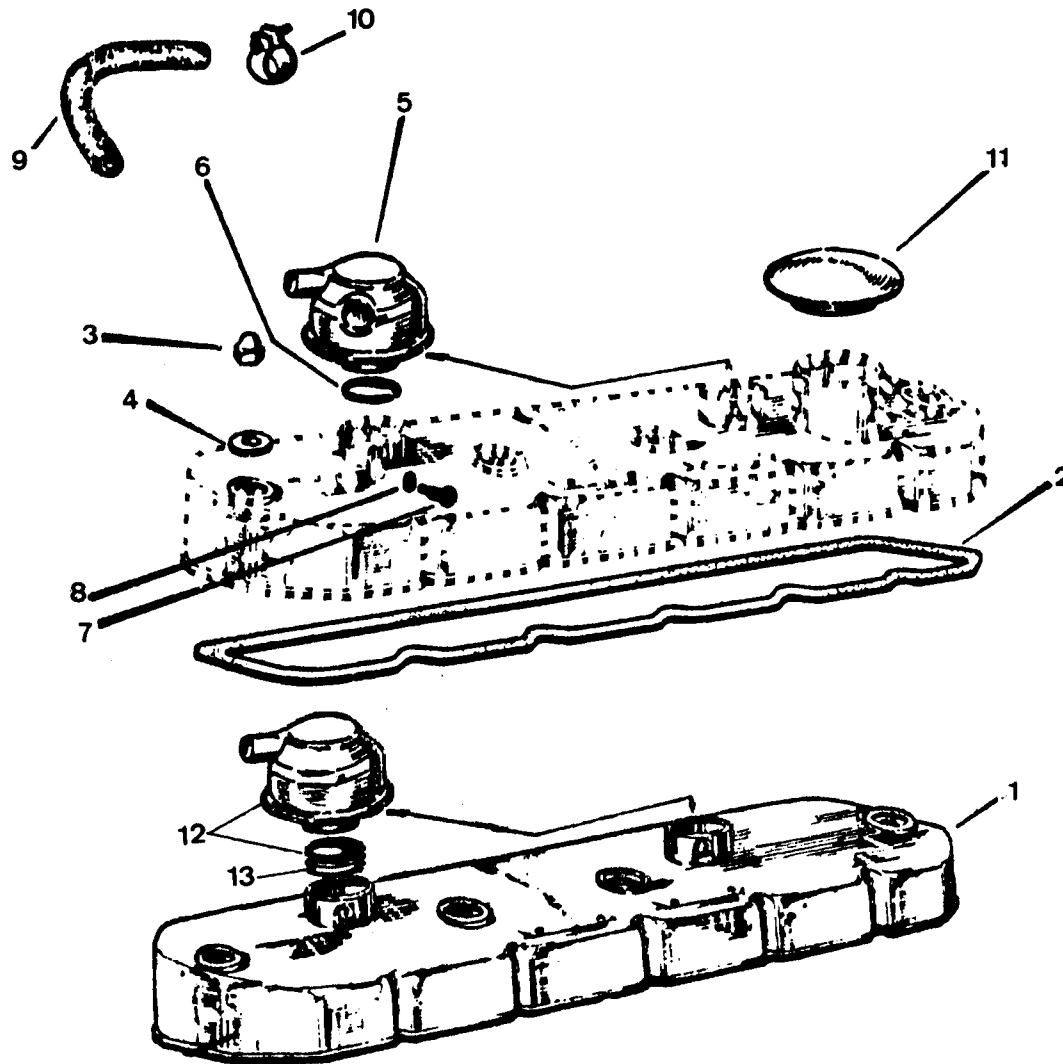


PUBLICACION N 88JC13
EDICION N 1

GRUPO=02 ENGRASE
GROUP=02 LUBRICATION
GROUPE=02 GRAISSAGE

SUBGRUPO=TUBERIAS 4C D TURBO
SUBGROUP=LUBRICATI 4C D TURBO
SUBGROUPE=TUYAUS DE 4C D TURBO

N.FIG	N.PIEZA	CAN				
PLATE	PARTNUMBER	QTY				
N.FIG	N.PIECE	OUT	DENOMINACION	DESCRIPTION	DENOMINATION	C H A S I S
1	118422	1	TUBERIA	PIPE	TUYAU	
2	113019	1	JUNTA	JOINT	JOINT	
3	889865	4	TORNILLO	BOLT	BOULON	
4	WL102001	4	ARANDELA	WASHER	RONDELLE	
5	113025	1	TORNILLO	BOLT	BOULON	
6	189493	2	ARANDELA	WASHER	RONDELLE	
7	118424	1	TUBERIA	PIPE	TUYAU	
8	113021	1	MANGUITO	SLEEVE	MANCHON	
9	604098	2	ABRAZADERA	CLAMP	ETRIER	
10	113020	1	JUNTA	JOINT	JOINT	



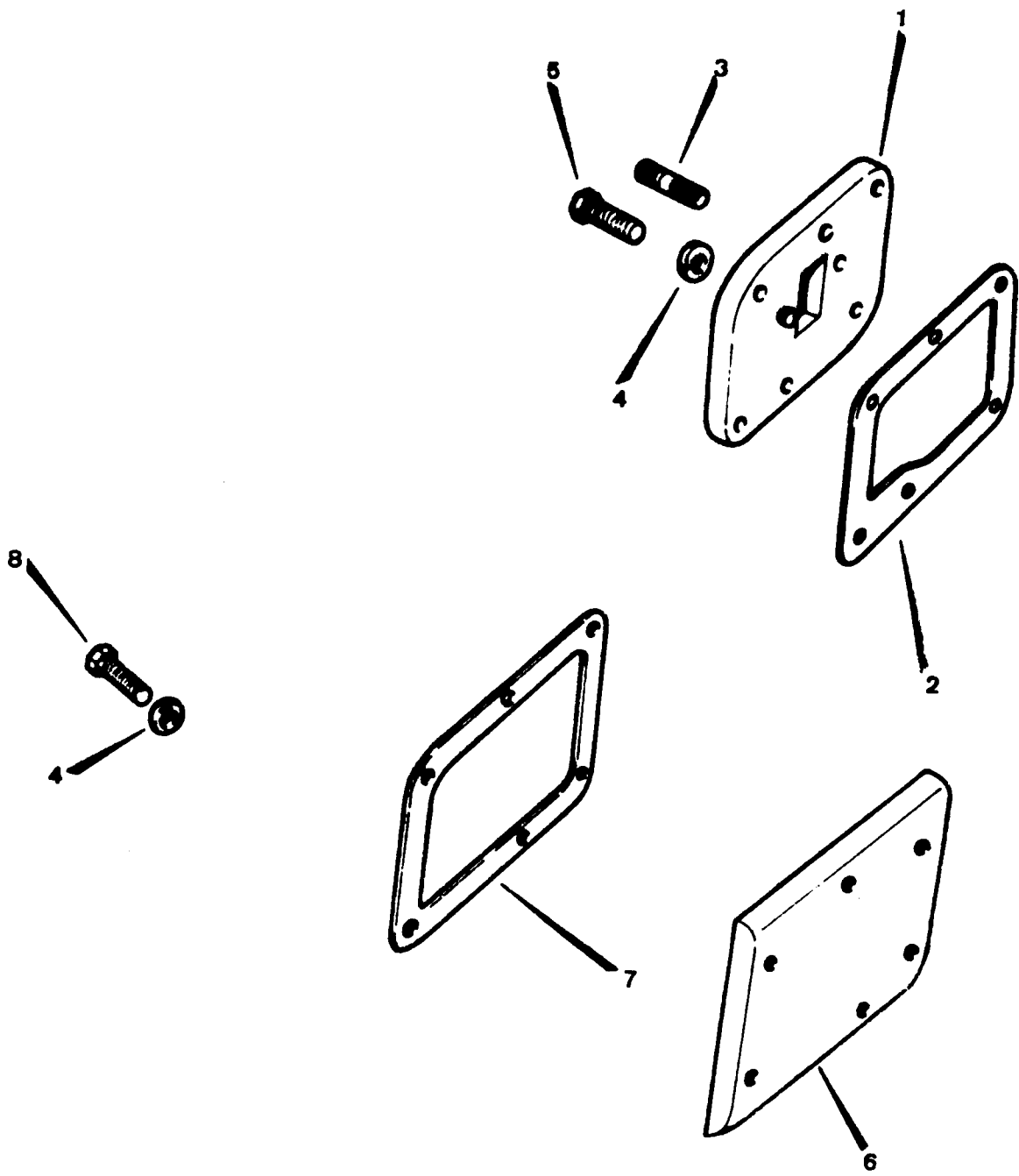
PUBLICACION N 880013
EDICION N 1

GRUPO=02 ENGRASE
GROUP=02 LUBRICATION
GROUPE=02 GRAISSAGE

SUBGRUPO=TAPA DE BALANCI 6C D
SUBGROUP=ROKER COVER 6C D
SUBGROUPE=COUVERCLE CULBU 6C D

N.FIG	N.PIEZA	CAN	DENOMINACION	DESCRIPTION	DENOMINATION	C H A S I S
PLATE	PARTNUMBER	QTY				
N.FIG	N.PIECE	OUT				
1	604039K1	1	TAPA DE BALANCINES	ROKER COVER	COUVERCLE DE CULBUTE	
2	604040	1	JUNTA	JOINT	JOINT	
3	247121	4	TUERCA	NUT	ECROU	
4	184267	4	ARANDELA	WASHER	RONDELLE	
5	117849	2	FILTRO	FILTRE	FILTRE	
6	268887	2	ANILLO	RING	ANNEAU	
7	515291	2	TORNILLO	SCREW	VIS	
8	232037	2	ARANDELA	WASHER	RONDELLE	
9	604043	2	MANGUITO	HOSE	MANCHON	
10	163406	2	ABRAZADERA	CLAMP	ETRIER	
11	604073	1	TAPA	COVER	COUVERCLE	
12	574658K1	2	FILTRO	BREATHER	FILTRE	
13	112449	2	GOMA	RUBBER	CAOUTCHOIC	

020003
020504



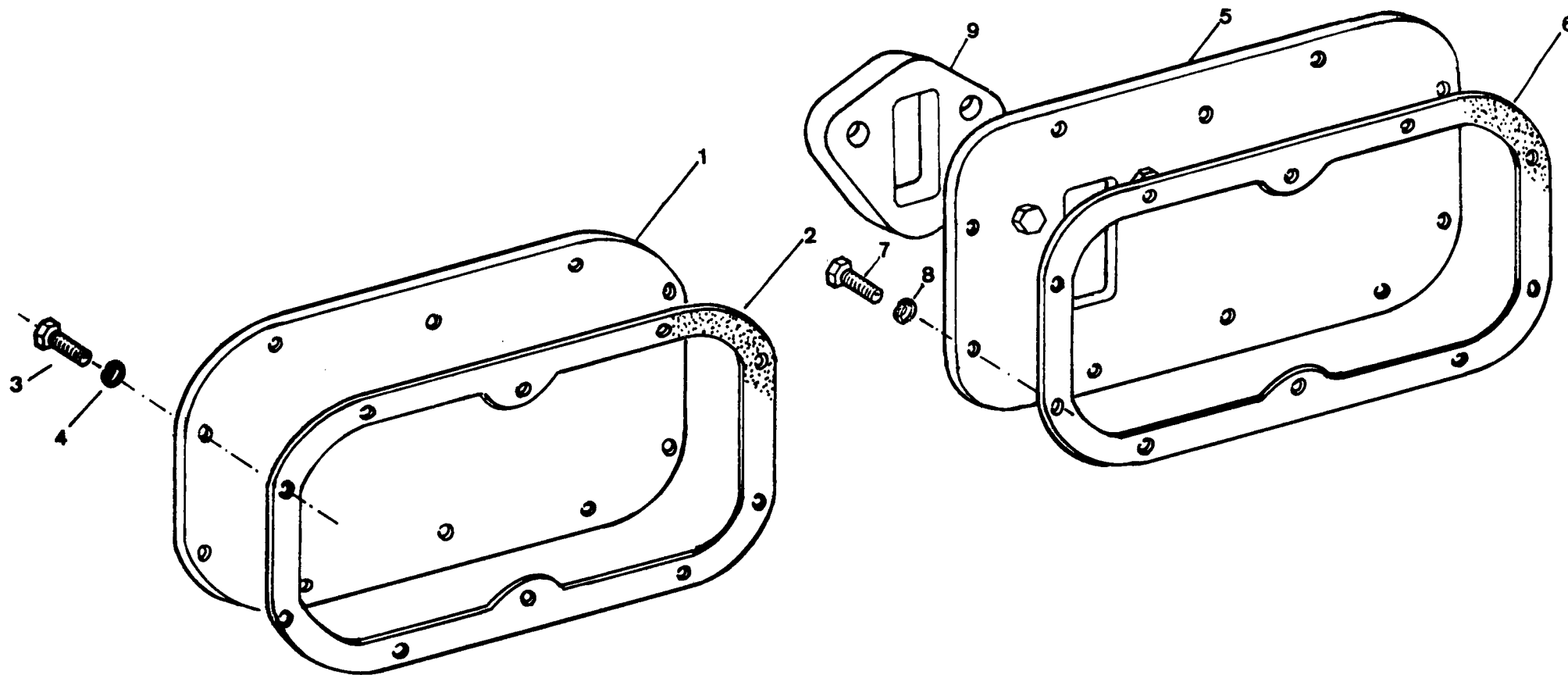
PUBLICACION N 880013
EDICION N 1

GRUPO=02 ENGRASE
GROUP=02 LUBRICATION
GROUPE=02 GRAISSAGE

SUBGRUPO=TAPA LATERAL 4C G
SUBGROUP=SIDE COVER 4C P
SUBGROUPE=COUVERCLE LATER 4C E

N.FIG	N.PIEZA	CAN	DENOMINACION	DESCRIPTION	DENOMINATION	C H A S I S
PLATE	PARTNUMBER	QTY				
N.FIG	N.PIECE	OUT				
1	ERC5517	1	TAPA LATERAL	SIDE COVER	COUVERCLE LATERAL	
2	247554	1	JUNTA	JOINT	JOINT	
3	252622	2	ESPARRAGO	STUD	GOUJON	
4	3075	14	ARANDELA	WASHER	RONDELLE	
5	182103	6	TORNILLO	BOLT	BOULON	
6	ERC2869	1	TAPA	COVER	COUVERCLE	
7	247555	1	JUNTA	JOINT	JOINT	
8	182101	2	TORNILLO	BOLT	BOULON	

020010
020509

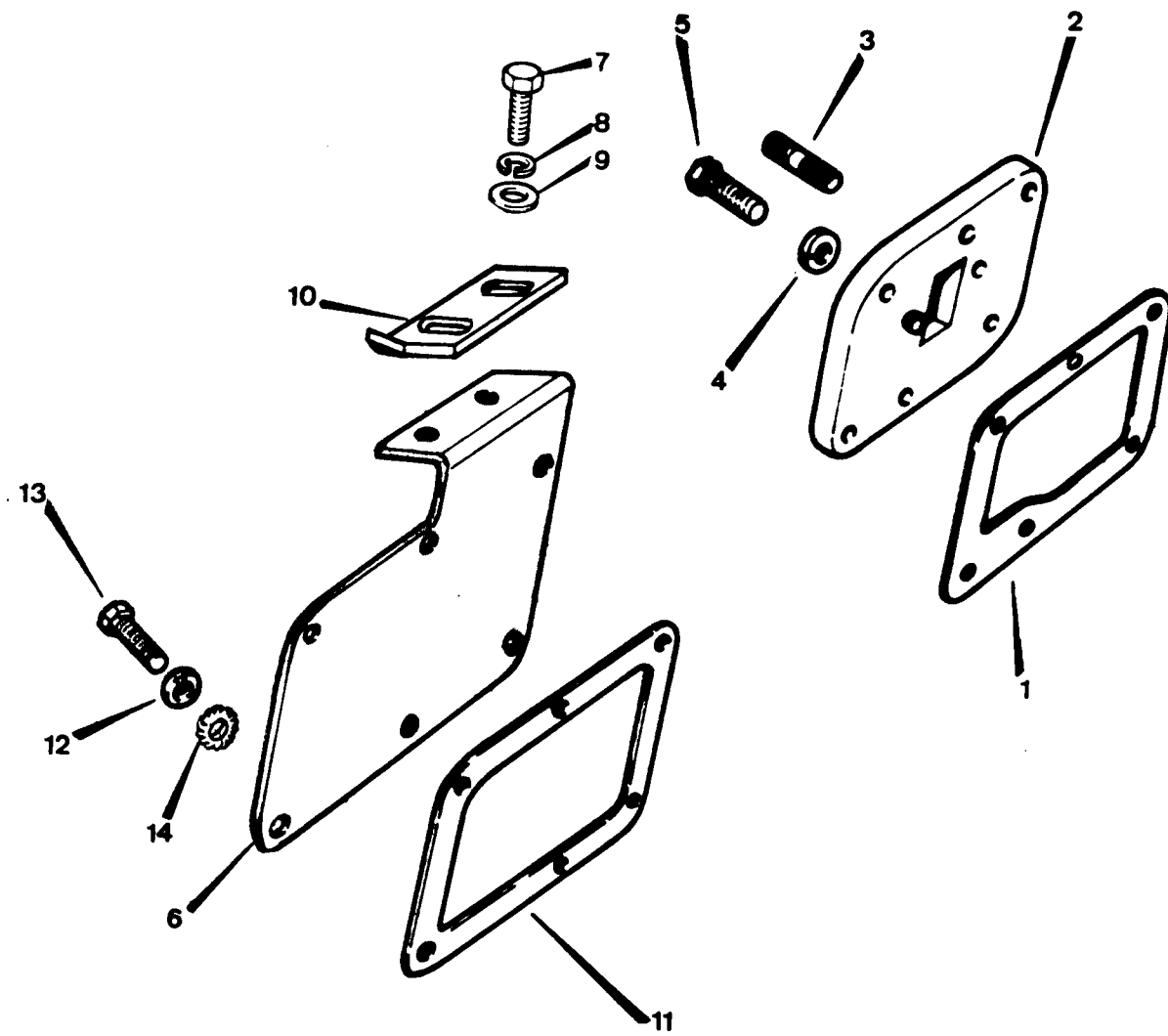


PUBLICACION N 883013
EDICION N 1

GRUPO=02 ENGRASE
GROUP=02 LUBRICATION
GROUPE=02 GRAISSAGE

SUBGRUPO=TAPA LATERAL 6C G
SUBGROUP=SIDE COVER 6C P
SUBGROUPE=COUVERCLE LATER 6C E

N.FIG	N.PIEZA	CAN				
PLATE	PARTNUMBER	QTY				
N.FIG	N.PIECE	OUT	DENOMINACION	DESCRIPTION	DENOMINATION	C H A S I S
1	GC4012	1	JUNTA	JOINT	JOINT	
	GC4027	1	TAPA DEL ANTERA	FRONT COVER	COUVERCLE AVANT	
3	182116	10	TORNILLO	BOLT	BOULON	
4	3075	10	ARANDELA	WASHER	RONDELLE	
5	112953	1	TAPA TRASERA	REAR COVER	COUVERCLE ARRIERE	
6	GC4016	1	JUNTA	JOINT	JOINT	
7	182103	10	TORNILLO	BOLT	BOULON	
	182116	10	TORNILLO	BOLT	BOULON	
8	3075	10	ARANDELA	WASHER	RONDELLE	
9	112954	1	SEPARADOR	SPACER	ENTRETOISE	

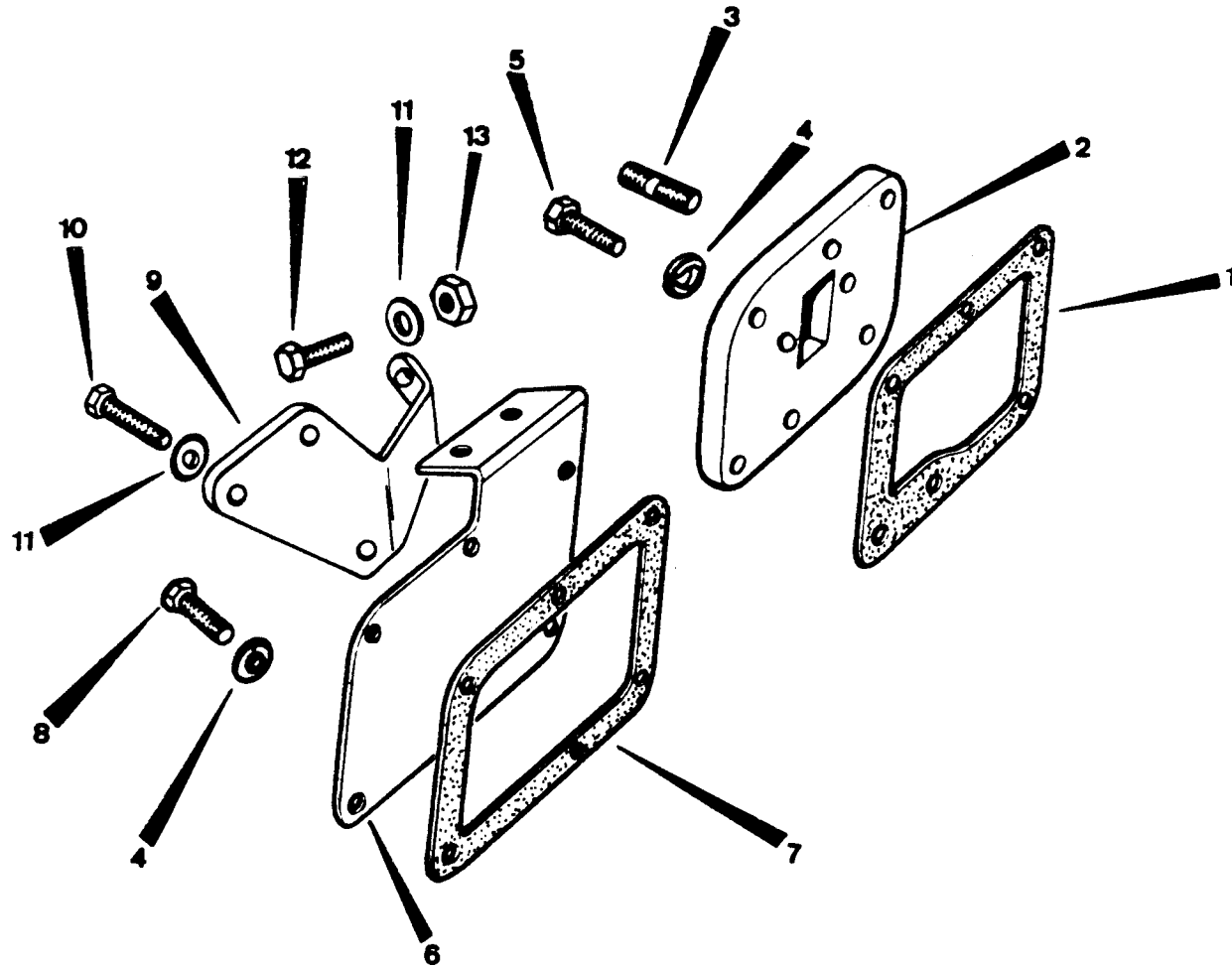


PUBLICACION N 880013
EDICION N 1

GRUPO=02 ENGRASE
GRUPE=02 LUBRICATION
GROUPE=02 GRAISSAGE

SUBGRUPO=TAPA LATERAL 4C D
SUBGROUP=SIDE COVER 4C D
SUBGRUPE=COUVERCLE LATER 4C D

N.FIG PLATE	N.PIEZA PARTNUMBER	CAN QTY	DENOMINACION	DESCRIPTION	DENOMINATION	C H A S I S
1	247554	1	JUNTA	JOINT	JOINT	
2	ERC5524	1	TAPA	COVER	COUVERCLE	
3	252622	2	ESPARRAGO	STUD	GOUJON	
4	3075	6	ARANDELA	WASHER	RONDELLE	
5	182103	6	TORNILLO	BOLT	BOULON	
6	112417	1	TAPA	COVER	COUVERCLE	
7	250959	2	TORNILLO	SCREW	VIS	
8	3073	2	ARANDELA	WASHER	RONDELLE	
9	3902	2	ARANDELA	WASHER	RONDELLE	
10	564470	1	INDICE	INDEX	INDEX	
11	247555	1	JUNTA	JOINT	JOINT	
12	3075	5	ARANDELA	WASHER	RONDELLE	
13	182101	6	TORNILLO	BOLT	BOULON	
14	055266	1	ARANDELA	WASHER	RONDELLE	



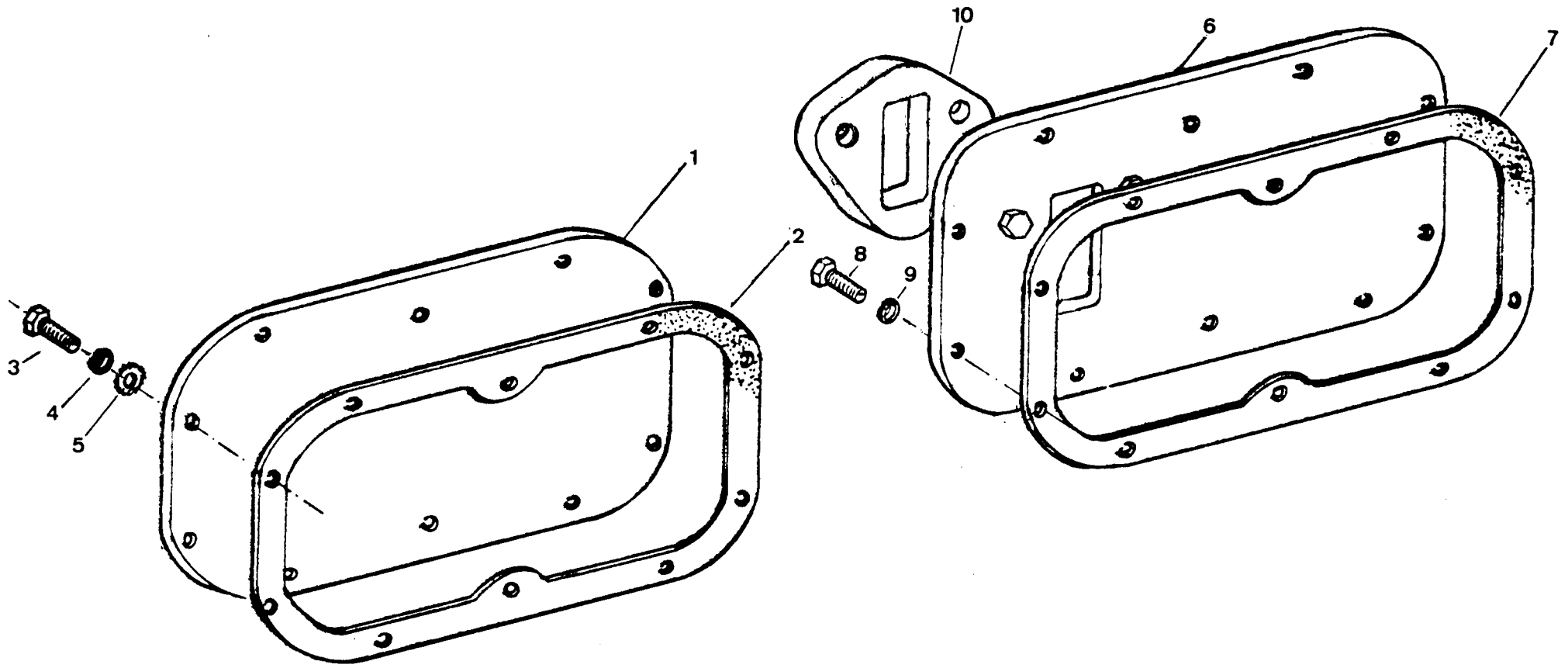
PUBLICACION N 880013
EDICION N 1

GRUPO=02 ENGRASE
GROUP=02 LUBRICATION
GROUPE=02 GRAISSAGE

SUBGRUPO=TAPA LATE 4C D TURBO
SUBGROUP=SIDE COVE 4C D TURBO
SUBGROUPE=COUVERCLE 4C D TURBO

N.FIG	N.PIEZA	CAN	DENOMINACION	DESCRIPTION	DENOMINATION	C H A S I S
PLATE	PARTNUMBER	QTY				
N.FIG	N.PIECE	OUT				
1	247554	1	JUNTA	JOINT	JOINT	
2	ERC5517	1	TAPA	COVER	COUVERCLE	
3	252622	2	ESPARRAGO	STUD	GOUJON	
4	3075	11	ARANDELA	WASHER	RONDELLE	
5	182103	6	TORNILLO	BOLT	BOULON	
6	112417	1	TAPA	COVER	COUVERCLE	
7	247555	1	JUNTA	JOINT	JOINT	
8	182101	3	TORNILLO	BOLT	BOULON	
9	ETC4070	1	SOPORTE	SUPPORT	SUPPORT	
10	182103	3	TORNILLO	BOLT	BOULON	
11	2550	4	ARANDELA	WASHER	RONDELLE	
12	SH108251	1	TORNILLO	BOLT	BOULON	
13	NH108041	1	TUERCA	NUT	ECROU	

020522



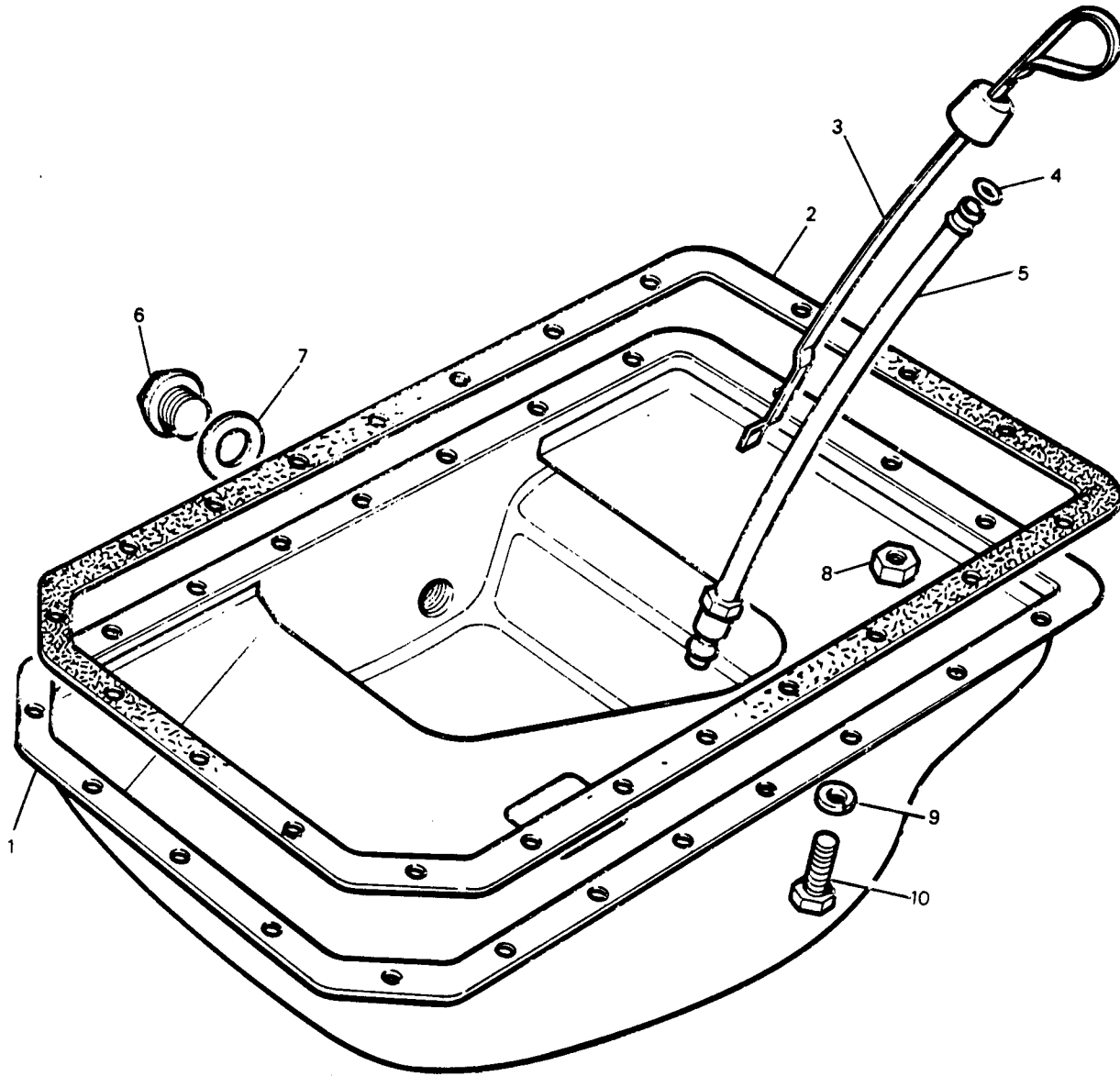
PUBLICACION N 890013
EDICION N 1

GRUPO=02 ENGRASE
GROUP=02 LUBRICATION
GROUPE=02 GRAISSAGE

SUBGRUPO=TAPA LATERAL 6C D
SUBGROUP=SIDE COVER 6C D
SUBGROUPE=COUVERCLE LATER 6C D

N.FIG	N.PIEZA	CAN	DENOMINACION	DESCRIPTION	DENOMINATION	CHASSIS
PLATE	PARTNUMBER	QTY				
N.FIG	N.PIECE	OUT				
1	604027	1	TAPA DELANTERA	FRONT COVER	COUVERCLE AVANT	
2	604010	1	JUNTA	JOINT	JOINT	
3	182101	2	TORNILLO	BOLT	BOULON	
	182116	8	TORNILLO	BOLT	BOULON	
4	3075	9	ARANDELA	WASHER	RONDELLE	
5	055266	1	ARANDELA	WASHER	RONDELLE	
6	112953	1	TAPA TRASERA	REAR COVER	COUVERCLE ARRIERE	
7	604010	1	JUNTA	JOINT	JOINT	
8	182101	2	TORNILLO	BOLT	BOULON	
	182116	8	TORNILLO	BOLT	BOULON	
9	3075	10	ARANDELA	WASHER	RONDELLE	
10	112954	1	SEPARADOR	SPACER	ENTRETOISE	

020004
020808
020808



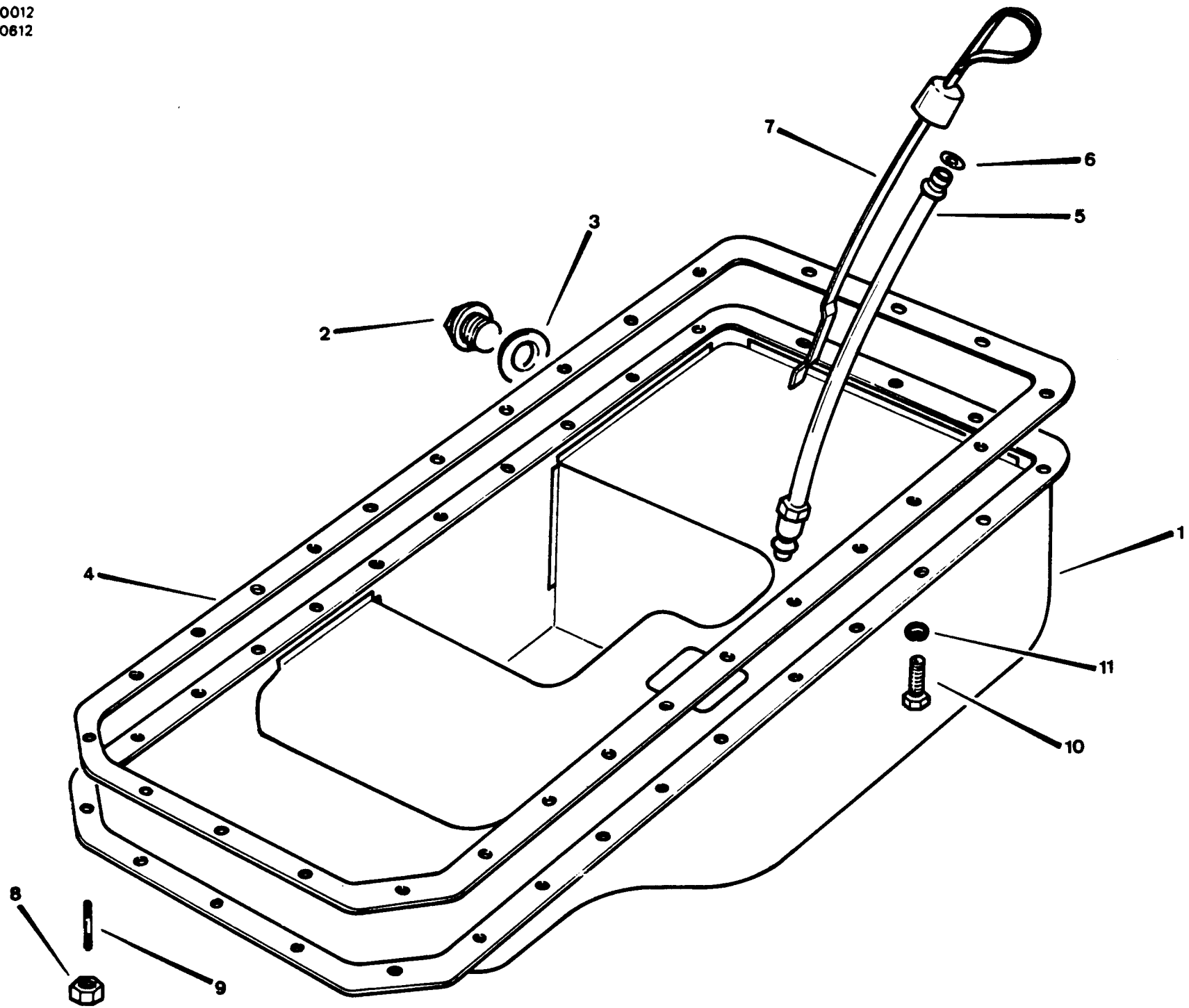
PUBLICACION N 880013
EDICION N 1

GRUPO=02 ENGRASE
GROUP=02 LUBRICATION
GROUPE=02 GRAISSAGE

SUBGRUPO=CARTER DE ACEITE 4C
SUBGROUP=CRANKCASE 4C
SUBGROUPE=CARTER 4C

N.FIG	N.PIEZA	CAN	DENOMINACION	DESCRIPTION	DENOMINATION	C H A S I S
PLATE	PARTNUMBER	QTY				
N.FIG	N.PIECE	OUT				
1	529823	1	CARTER	CIL SUMP	CARTER	
2	546841	1	JUNTA	GASKET	JOINT	
3	ERC4199	1	VARILLA	DIPSTICK	TRINGLE	
4	532387	1	ANILLO	RING	ANNEAU	
5	541861	1	TUBO	TUBE	TUYAU	
6	536577	1	TAPON	PLUG	BOUCHON	
7	243959	1	ARANDELA	WASHER	RONDELLE	
8	181181	1	TUERCA	NUT	ECROU	
9	3075	22	ARANDELA	WASHER	RONDELLE	
10	182118	21	TORNILLO	BOLT	BOULON	

020012
020812



PUBLICACION N 23017
EDICION N 1

GRUPO=02 ENGRASE
GROUP=02 LUBRICATION
GRUPO=02 GRAISSAGE

SUBGRUPO=CARTER DE ACEITE 6C
SUBGROUP=CRANKCASE 6C
SUBGRUPE=CARTER 6C

N.FIG	N.PIEZA	CAN	DENOMINACION	DESCRIPTION	DENOMINATION	C H A S I S
PLATE	PARINUMBER	QTY				
N.FIG	N.PIECE	OUT				
1	604019	1	CARTER	CRANKCASE	CARTER	
2	536577	1	TAPON	PLUG	BOUCHON	
3	243959	1	ARANDELA	WASHER	RONDELLE	
4	604028	1	JUNTA	JOINT	JOINT	
5	117979	1	TUBO	TUBE	TUYAU	
6	532387	1	ANILLO	RING	ANNEAU	
7	117989	1	VARILLA	ROD	TRINGLE	
8	181181	1	TUERCA	NUT	ECROU	
9	252621	1	ESPARRAGO	STUD	GOUJON	
10	102118	27	TORNILLO	BOLT	BOULON	
11	3075	28	ARANDELA	WASHER	RONDELLE	