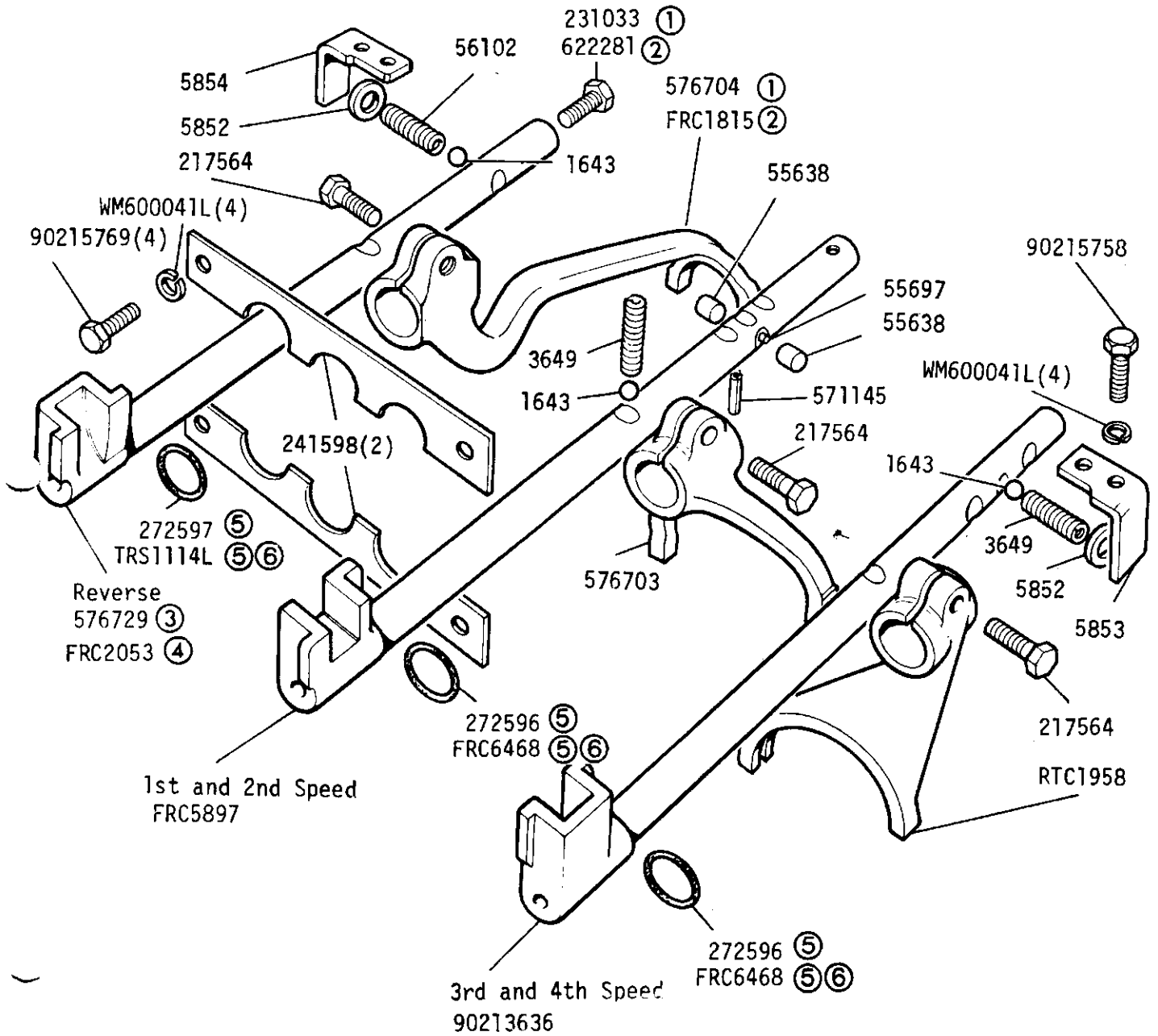


GROUP D

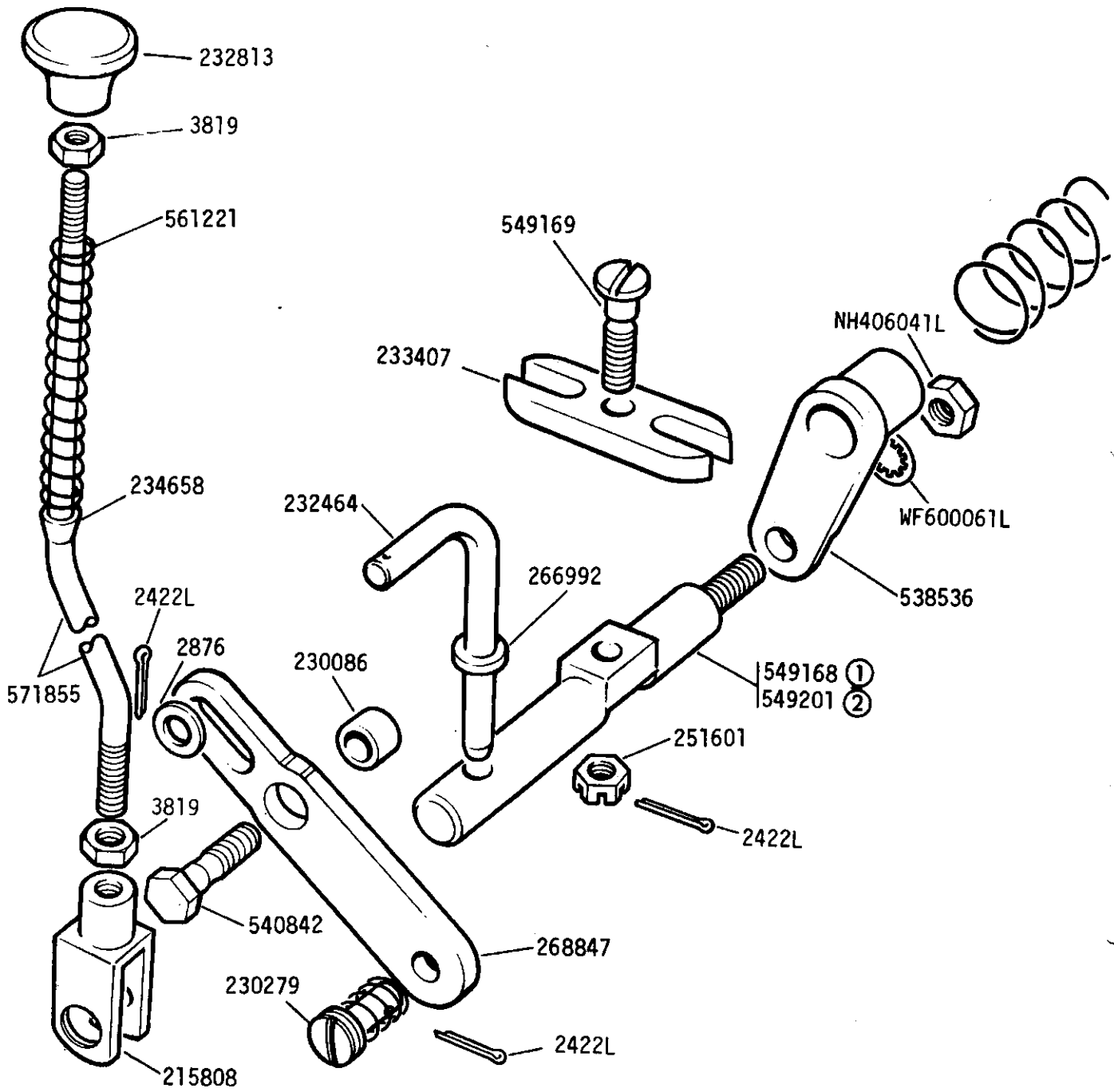
GEARBOX - Selectors and Levers Except 109 V8



- ① Gearbox Suffix A
- ② From Gearbox Suffix B onwards
- ③ Up to September 1979
- ④ From October 1979 onwards
- ⑤ Alternatives but must be used as a complete set
- ⑥ Also use washer FRC6938

GROUP D

GEARBOX - Selector rod, four wheel drive Except 109 V8

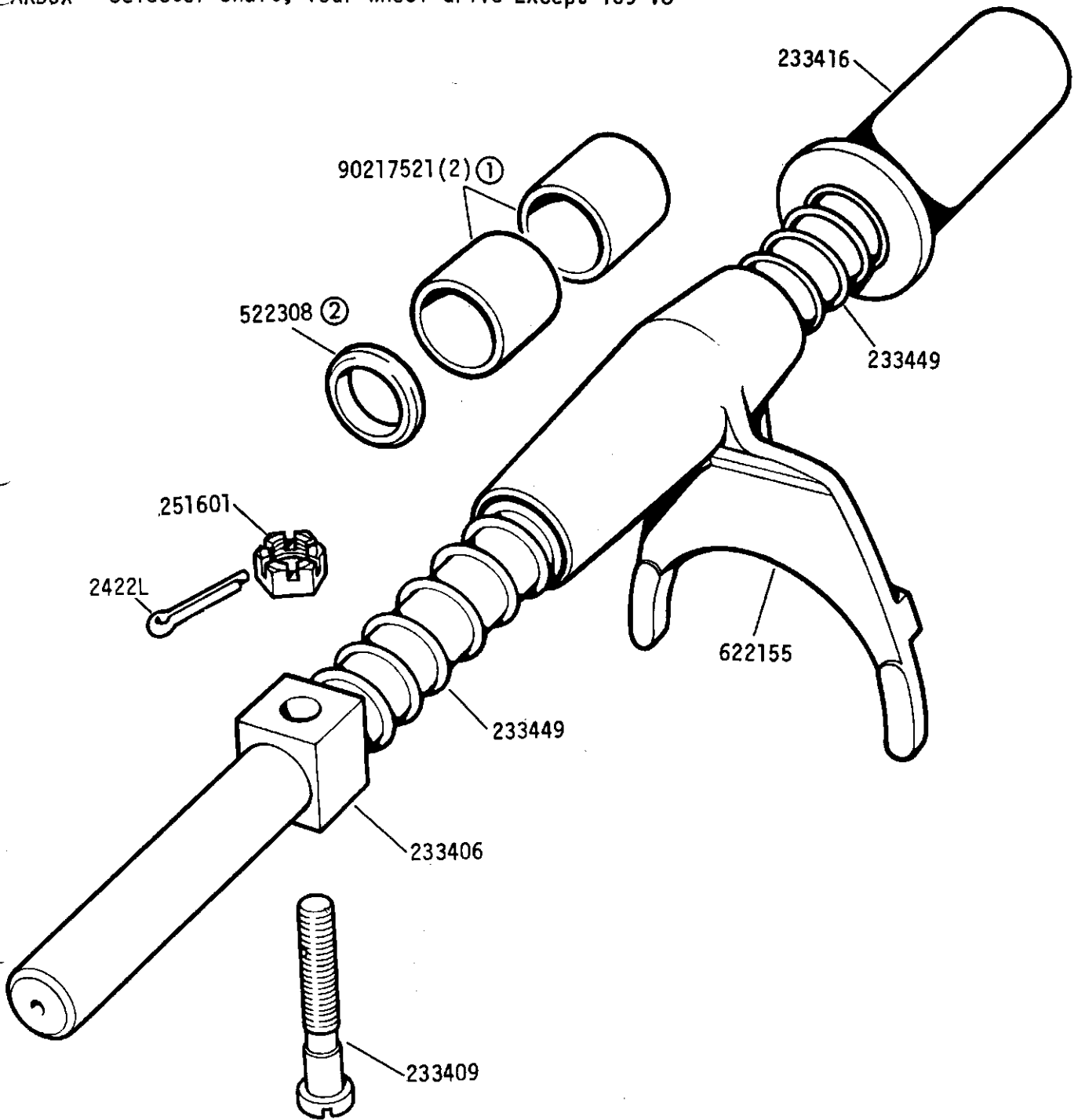


① Except 1 Ton

② 109 1 Ton. Optional on all other models

GROUP D

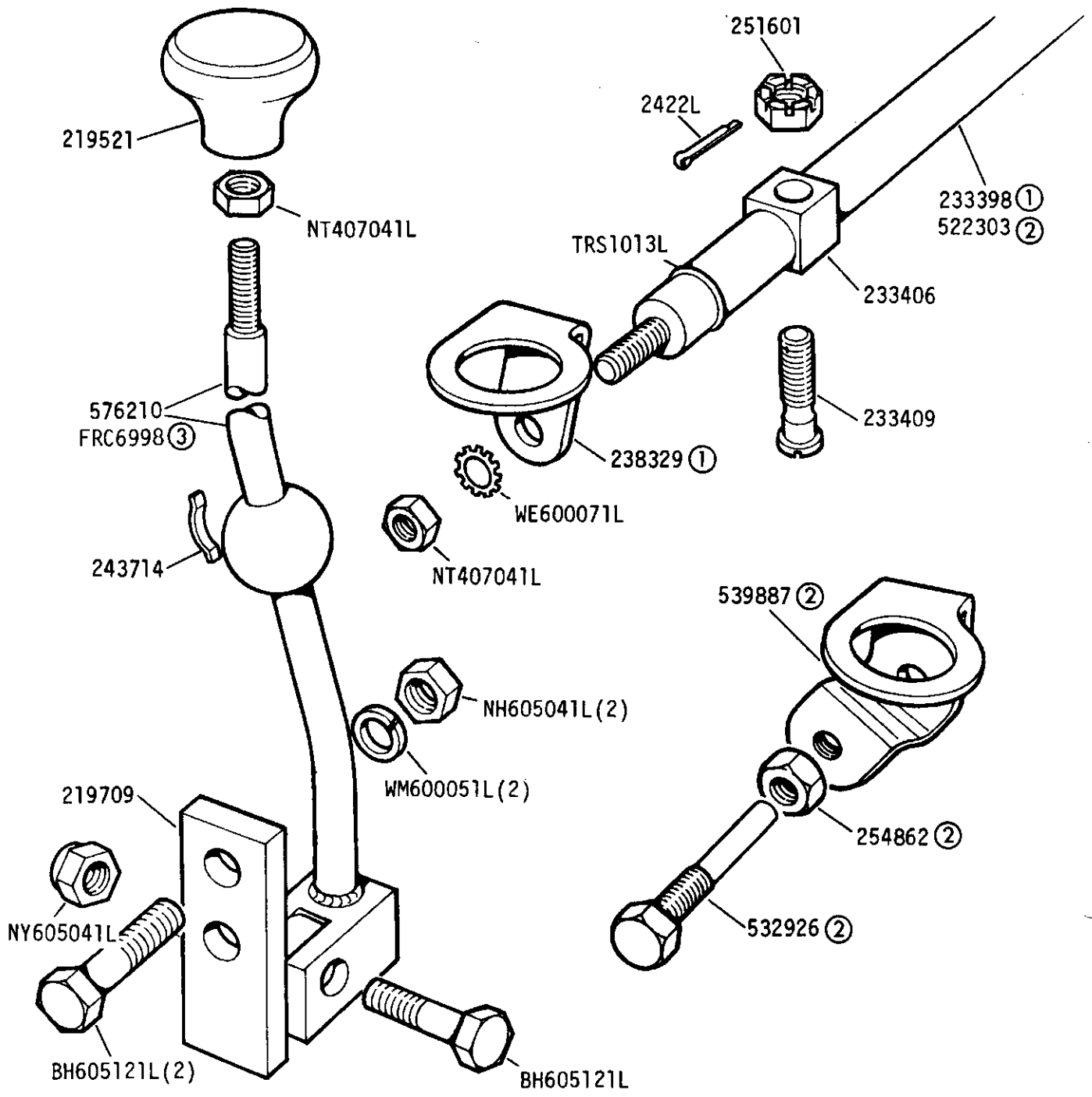
REARBOX - Selector shaft, four wheel drive Except 109 V8



① For use with early type selector fork with replaceable bushes

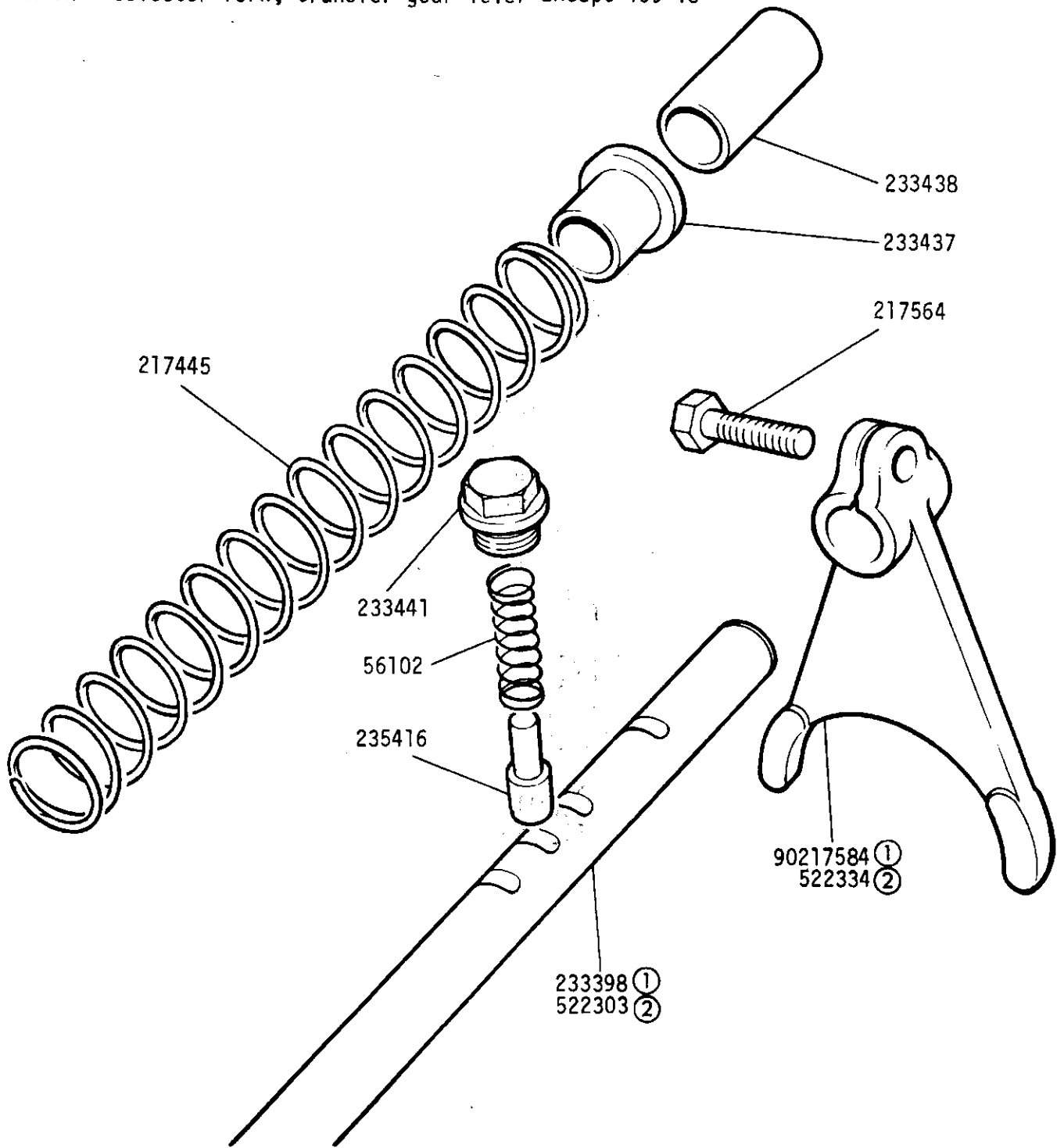
② 109 1 Ton only

GROUP D
 GEARBOX - Transfer gear change lever Except 109 V8



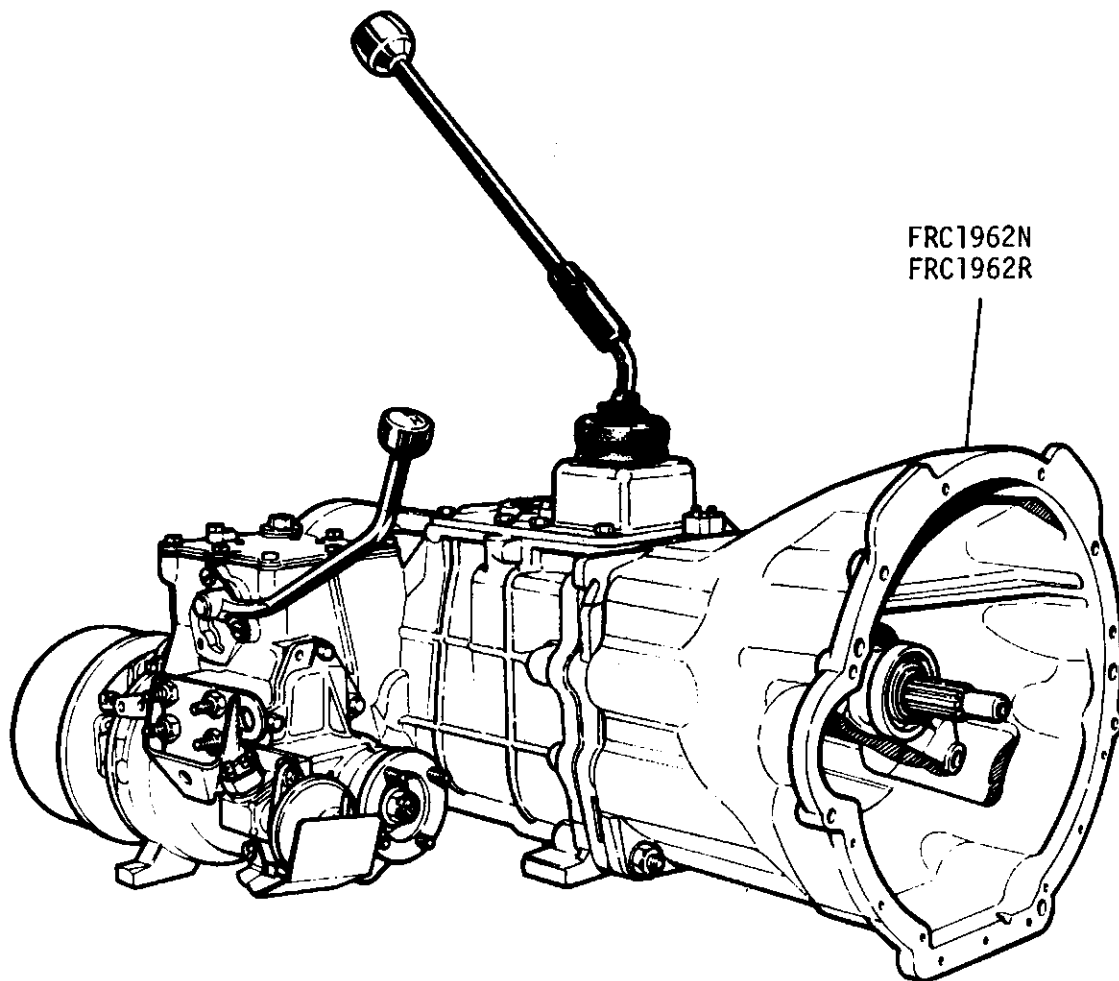
① Except 1 Ton
 ② 109" 1 Ton, Optional on all other models.
 ③ From gearbox 90499976D, 24601171D onwards.

GROUP D
 REARBOX - Selector fork, transfer gear lever Except 109 V8



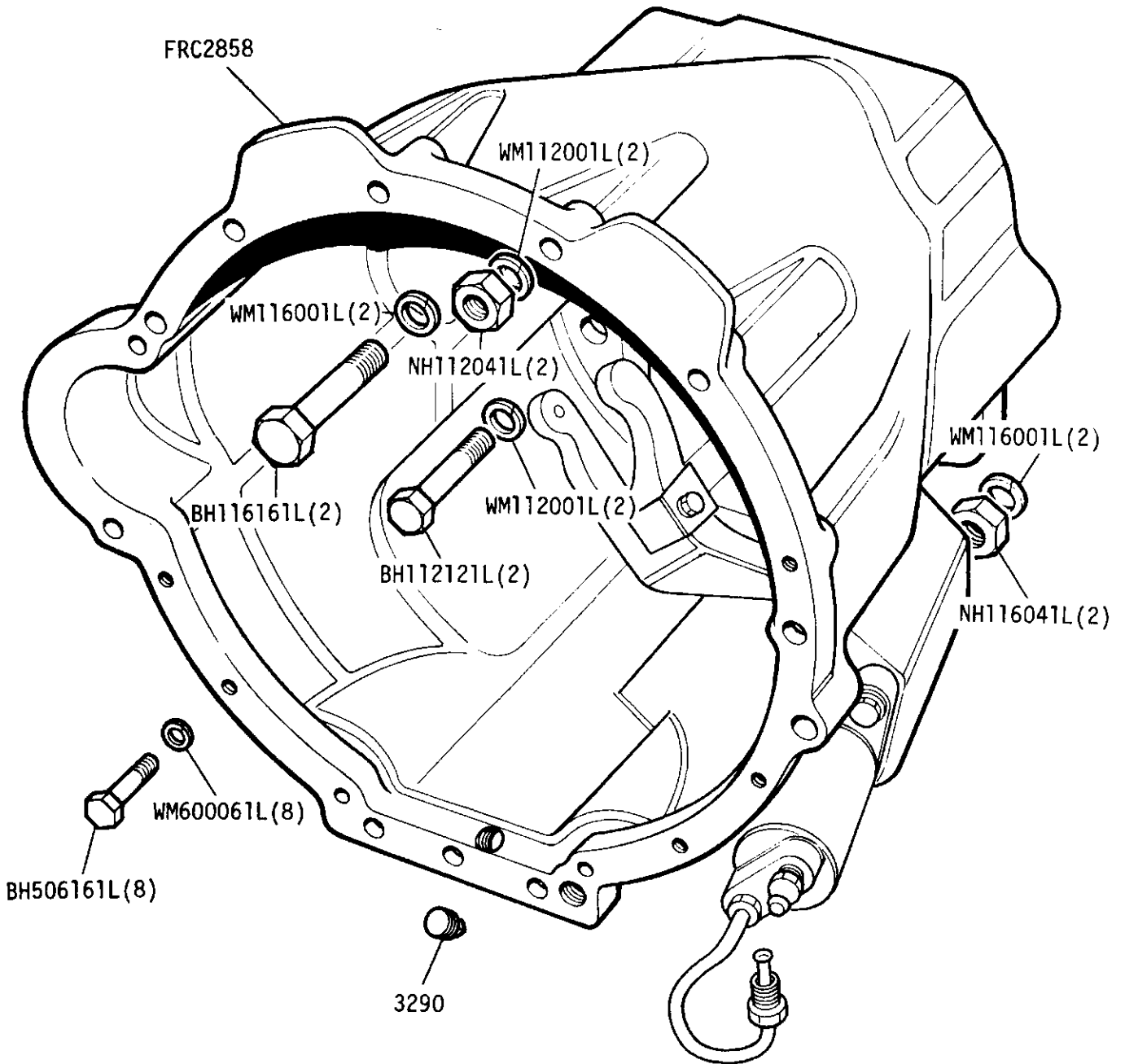
① Except 1 Ton
 ② 109 1 Ton, Optional on all other models

GROUP D
GEARBOX - 109 - V8

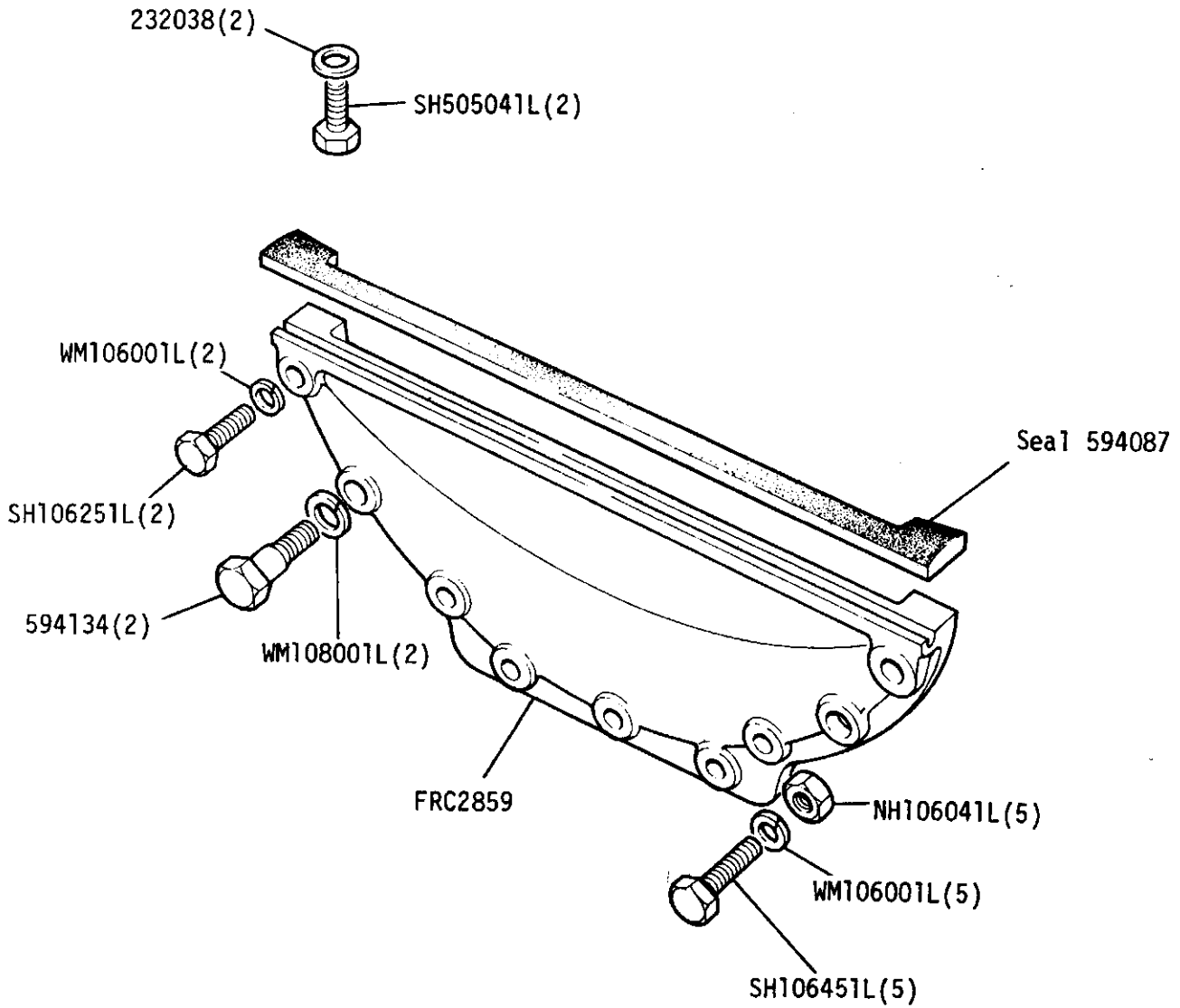


FRC1962N
FRC1962R

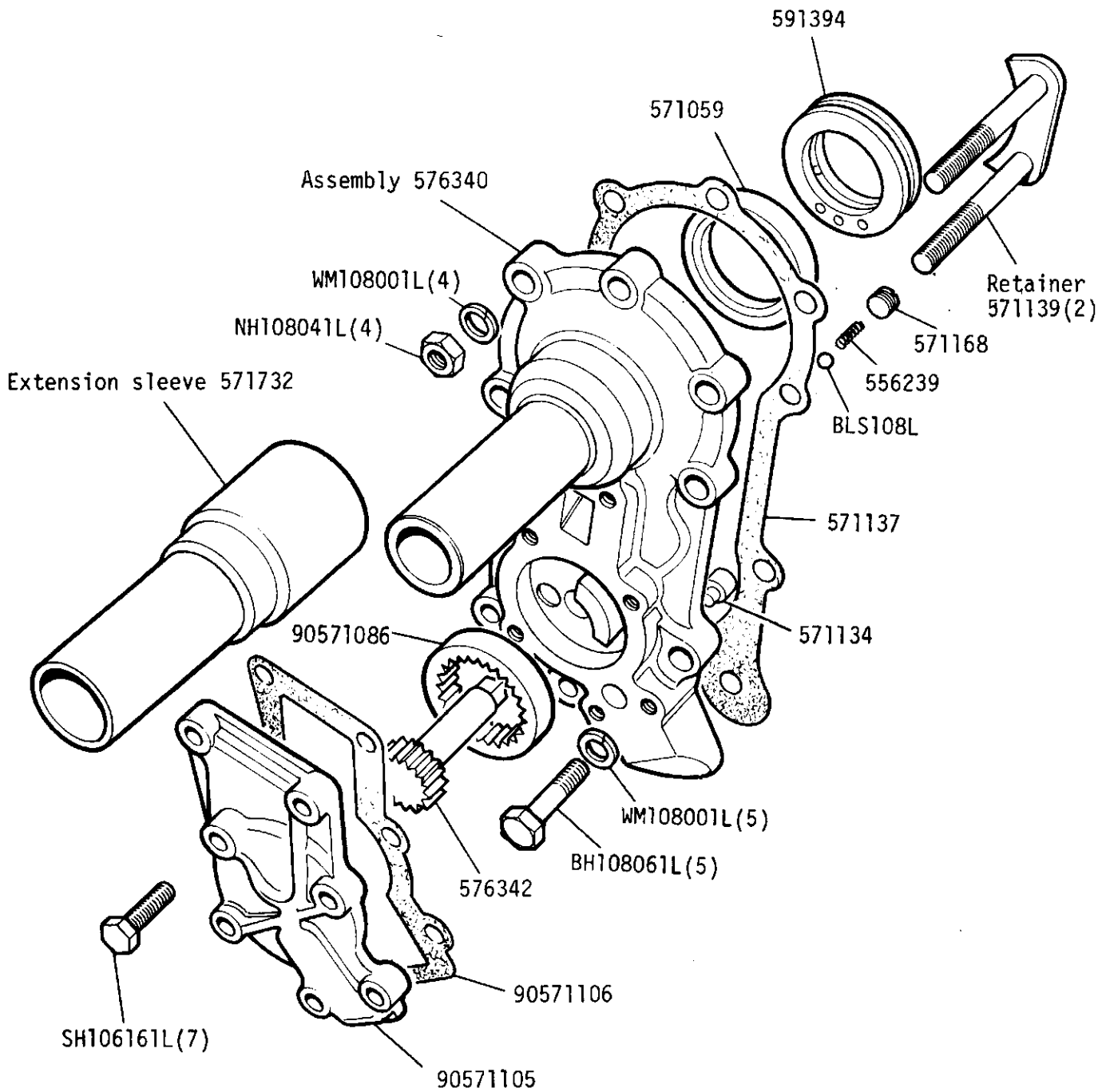
GROUP D
GEARBOX - Bell Housing 109 V8



GROUP D
GEARBOX - Bottom Cover for Bell Housing 109 V8

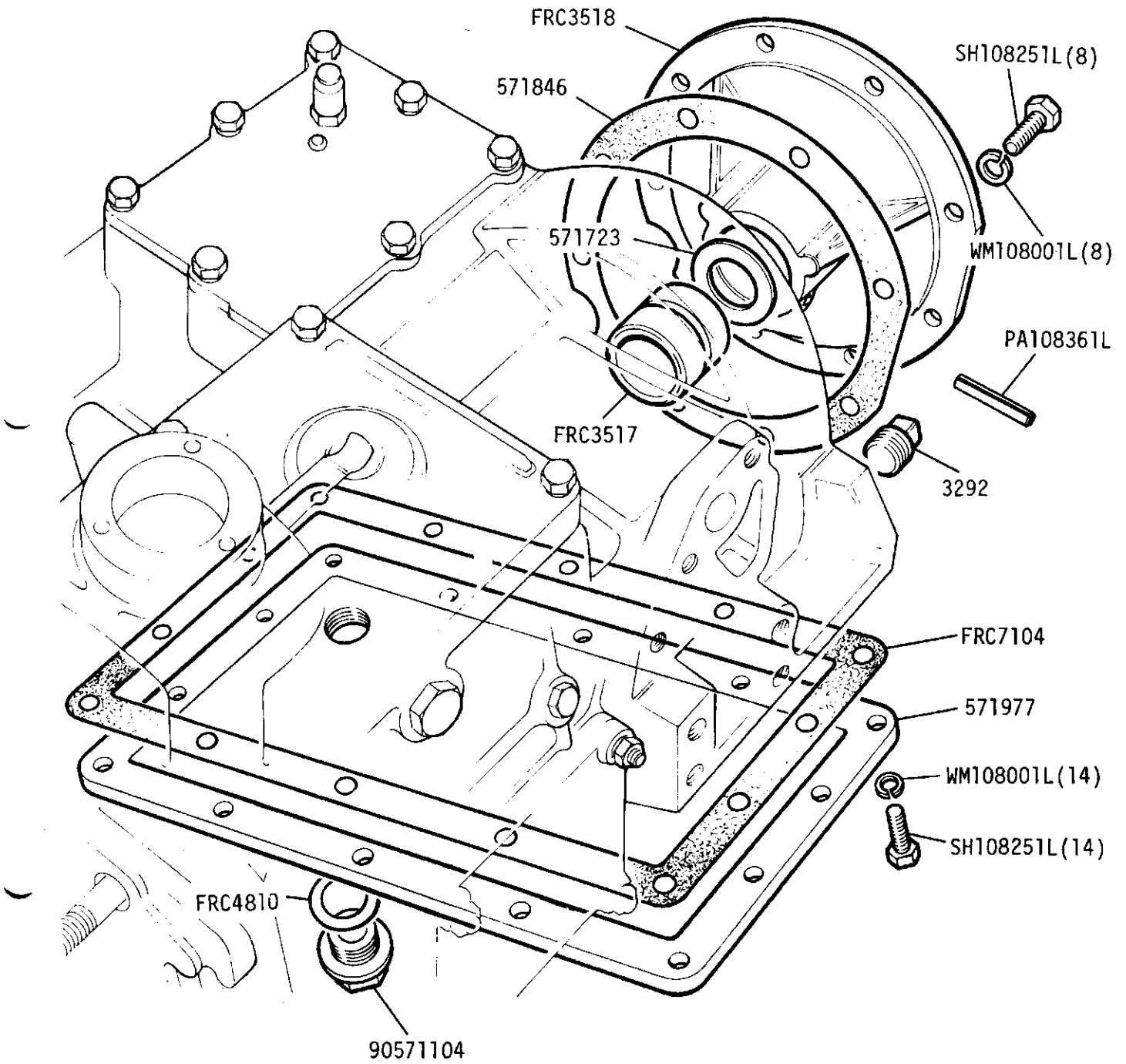


GROUP D
 GEARBOX - Front Cover and Oil Pump 109 V8

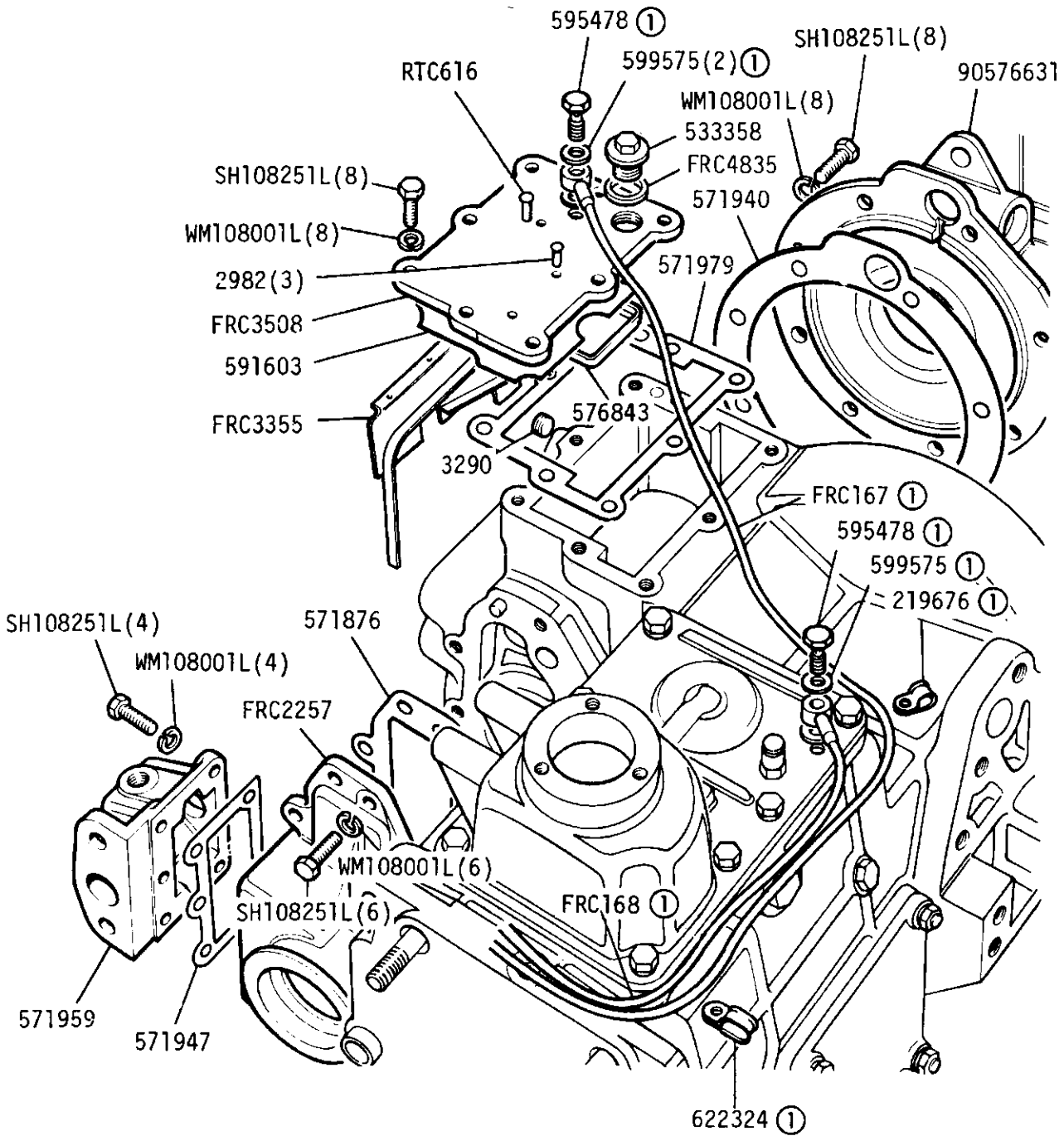


All items on this page are part of oil pump assembly, except extension sleeve and bearing retainer.

GROUP D
GEARBOX - Main and Transfer Casing (rear portion) 109 V8

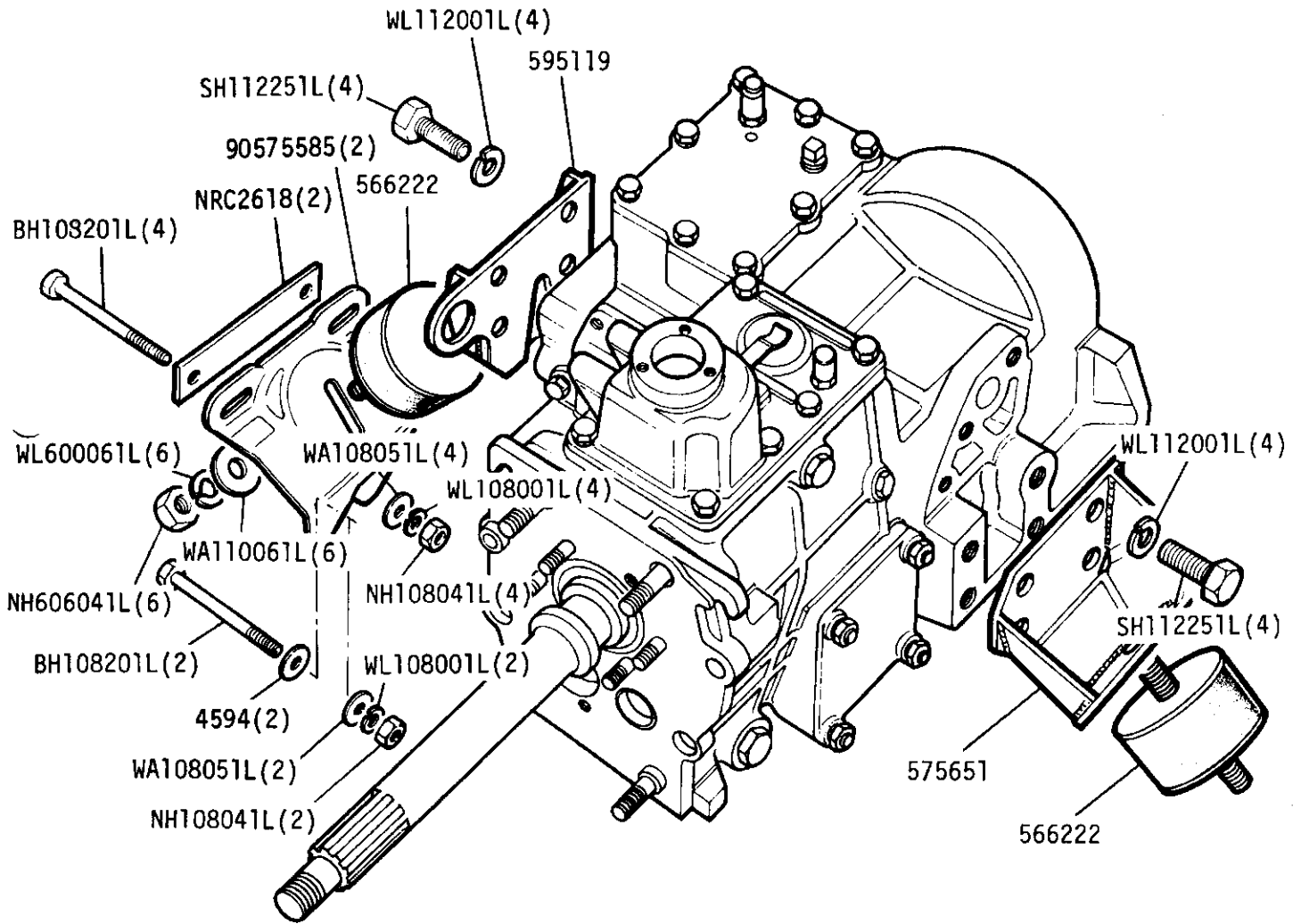


GROUP D
 GEARBOX - Main and Transfer Casing - Transfer portion 109 V8



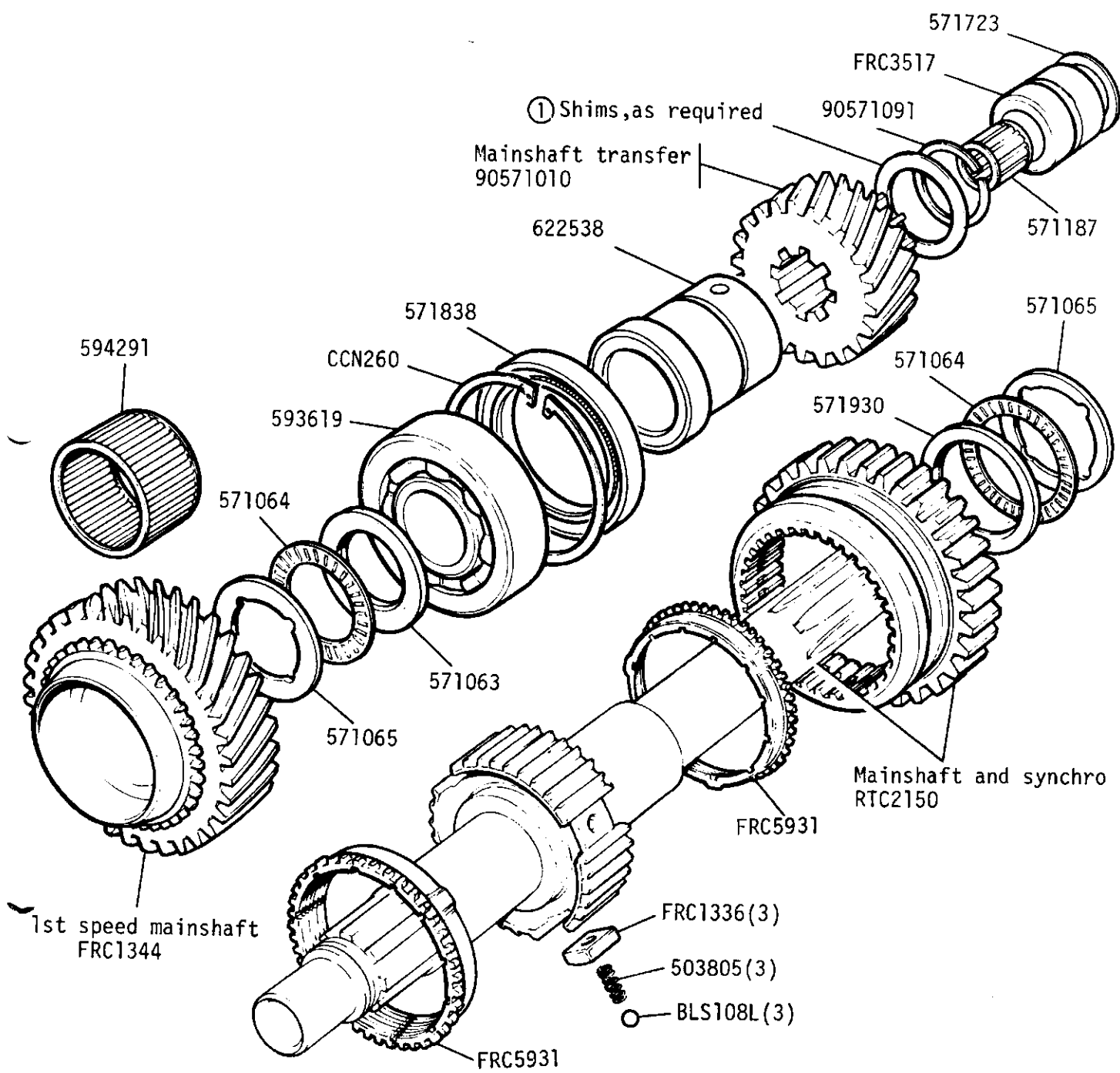
① Not part of gearbox assembly

GROUP D
 GEARBOX - Gearbox Mountings 109 V8



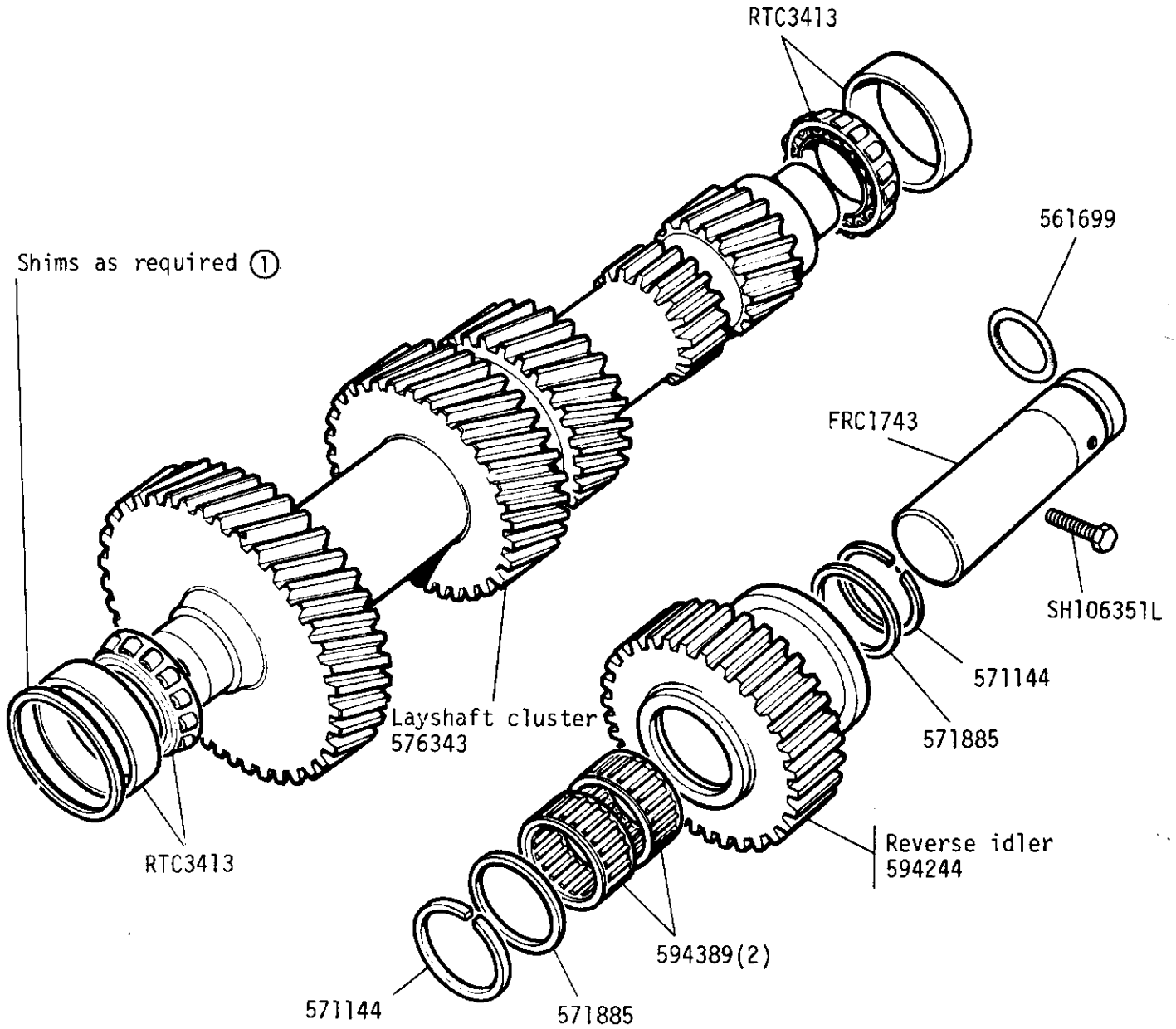
Suspension rubbers and fixings are not part of
 gearbox assembly

GROUP D
 GEARBOX - 1st Speed Mainshaft Gear and Transfer Gear 109 V8



① 1.65mm	593814	1.85mm	593818
1.70mm	593815	1.90mm	593819
1.75mm	593816	1.95mm	593820
1.80mm	593817	2.00mm	593821

GROUP D
 GEARBOX - Layshaft Gears and Reverse 109 V8



① 1.55mm	576351	1.80mm	576356	2.05mm	576361	2.30mm	576366
1.575mm	FRC3642	1.825mm	FRC3467	2.075mm	FRC3652	2.325mm	FRC3657
1.60mm	576352	1.85mm	576357	2.10mm	576362	2.35mm	576367
1.625mm	FRC3643	1.875mm	FRC3648	2.125mm	FRC3653	2.375mm	FRC3658
1.65mm	576353	1.90mm	576358	2.15mm	576363	2.40mm	576368
1.675mm	FRC3644	1.925mm	FRC3649	2.175mm	FRC3654	2.425mm	FRC3659
1.70mm	576354	1.95mm	576359	2.20mm	576364	2.45mm	576369
1.725mm	FRC3645	1.975mm	FRC3650	2.225mm	FRC3655	2.475mm	FRC3660
1.75mm	576355	2.00mm	576360	2.25mm	576365	2.50mm	576370
1.775mm	FRC3646	2.025mm	FRC3651	2.275mm	FRC3656		

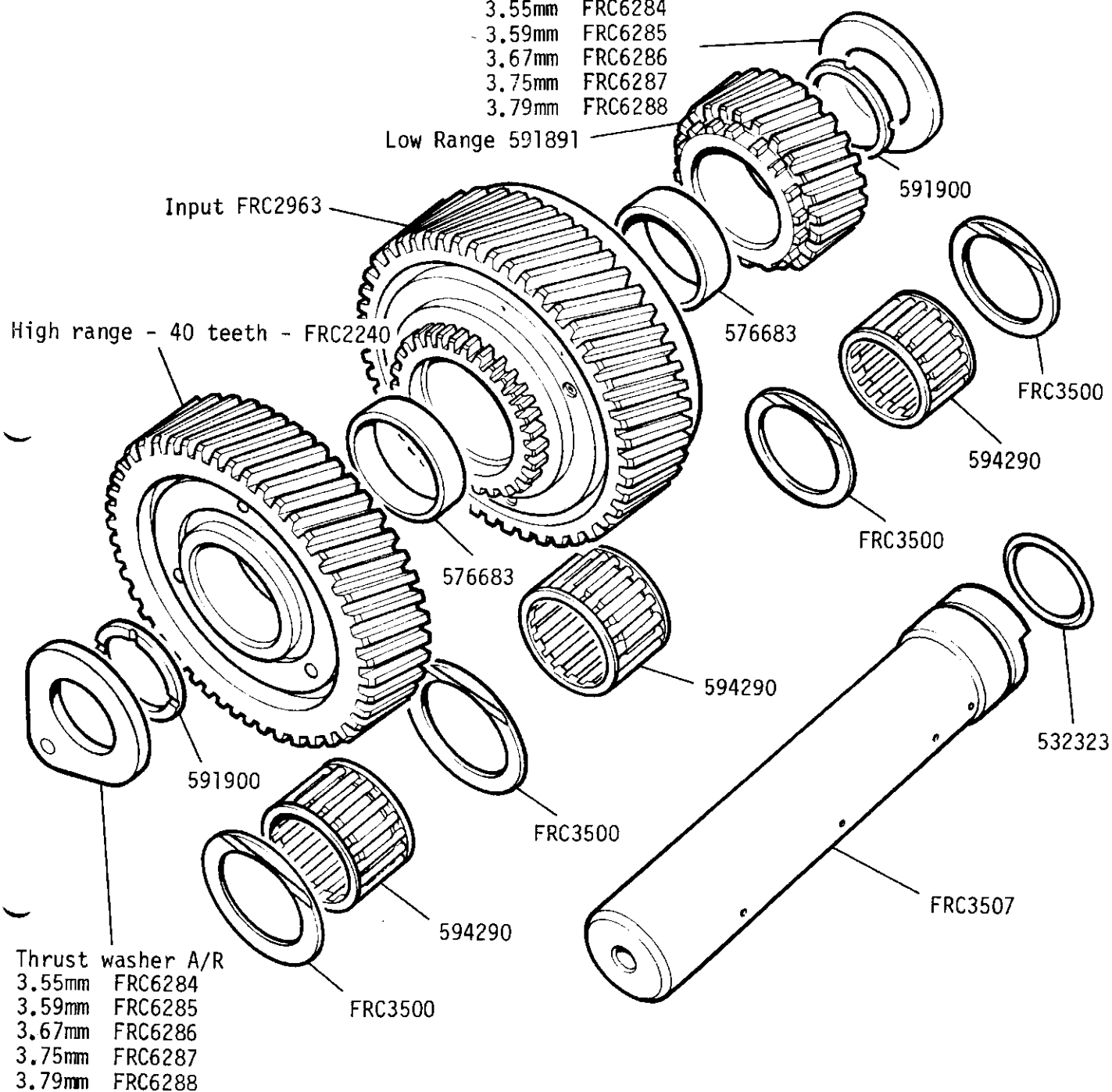
GROUP D
 GEARBOX - Intermediate Gears 109 V8

- Thrust washer A/R
- 3.55mm FRC6284
- 3.59mm FRC6285
- 3.67mm FRC6286
- 3.75mm FRC6287
- 3.79mm FRC6288

Low Range 591891

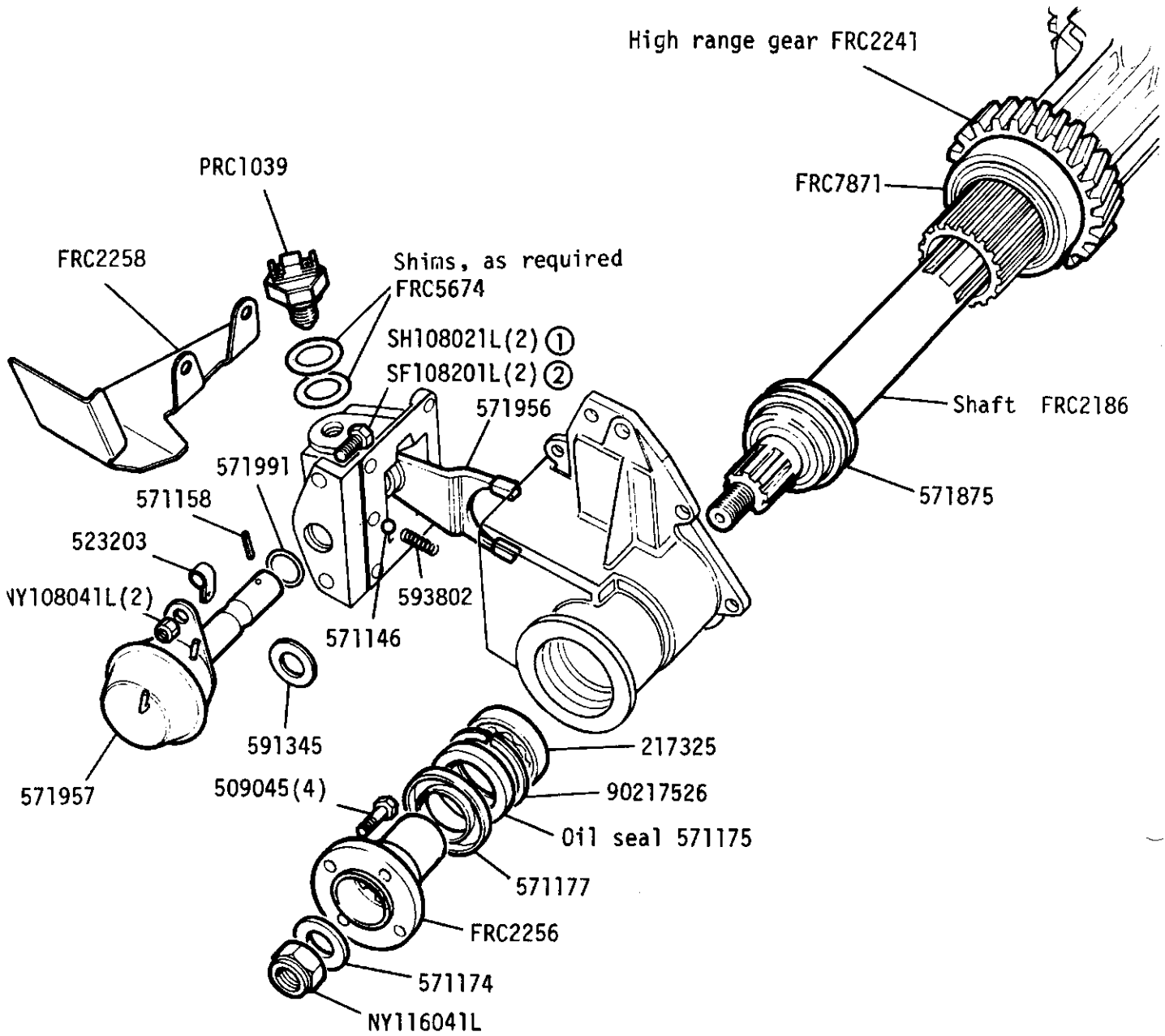
Input FRC2963

High range - 40 teeth - FRC2240



- Thrust washer A/R
- 3.55mm FRC6284
- 3.59mm FRC6285
- 3.67mm FRC6286
- 3.75mm FRC6287
- 3.79mm FRC6288

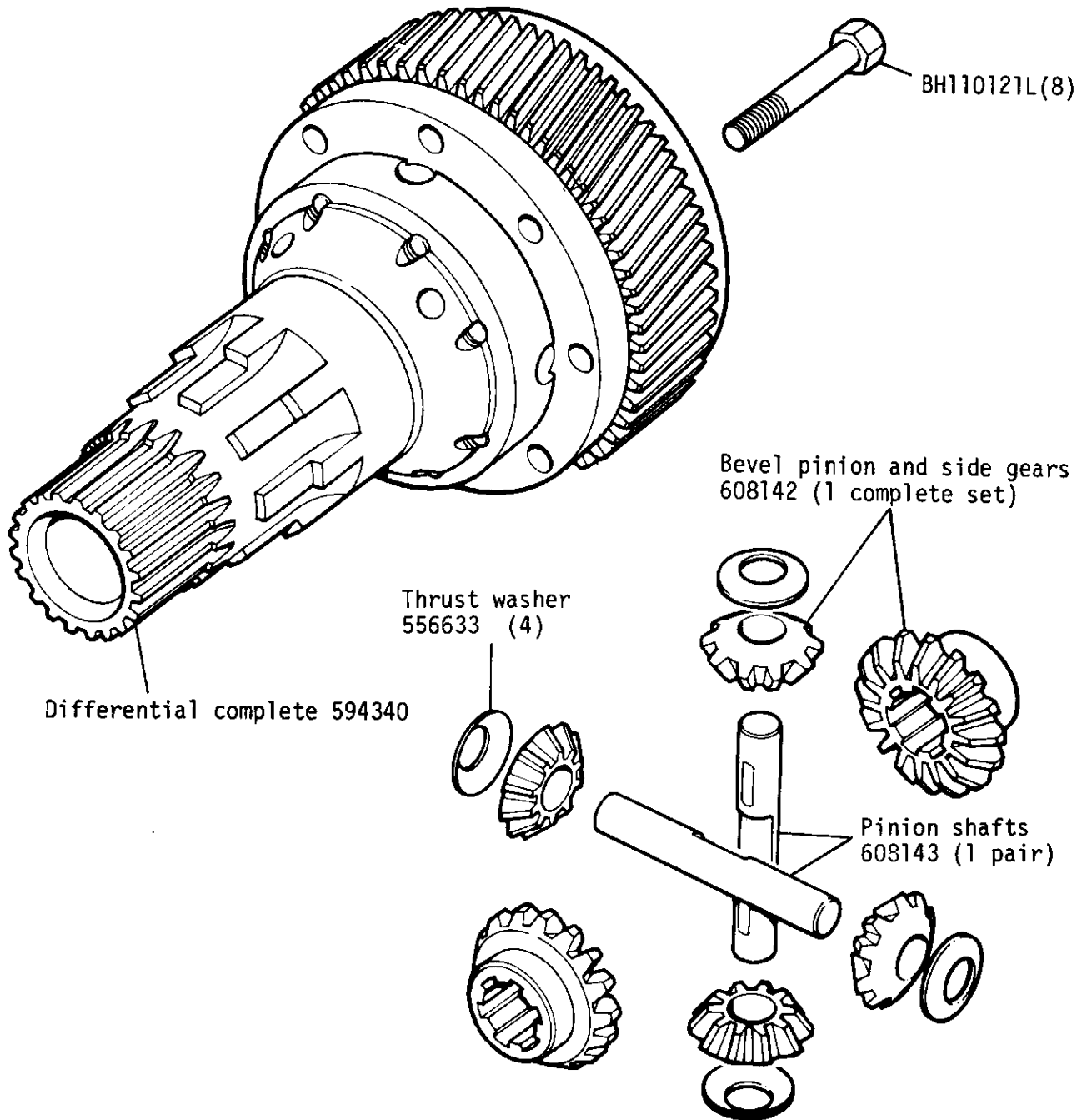
GROUP D
 GEARBOX - Front Output Shaft and Vacuum Actuator 109 V8



- ① Hexagon head type
- ② Countersunk head type)

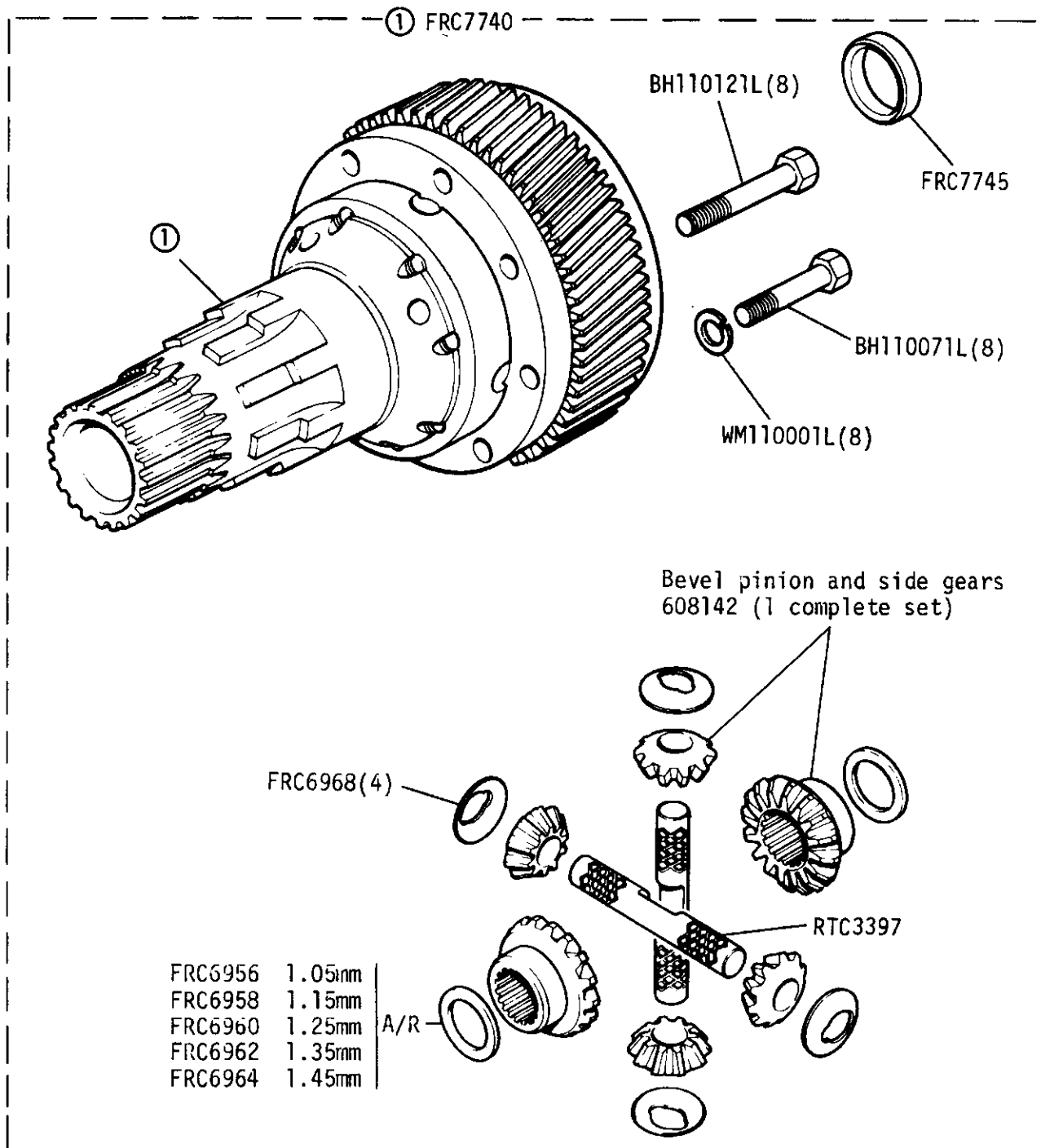
Check before ordering

GROUP D
GEARBOX - Differential 109 V8 Up to gearbox number 88113134A



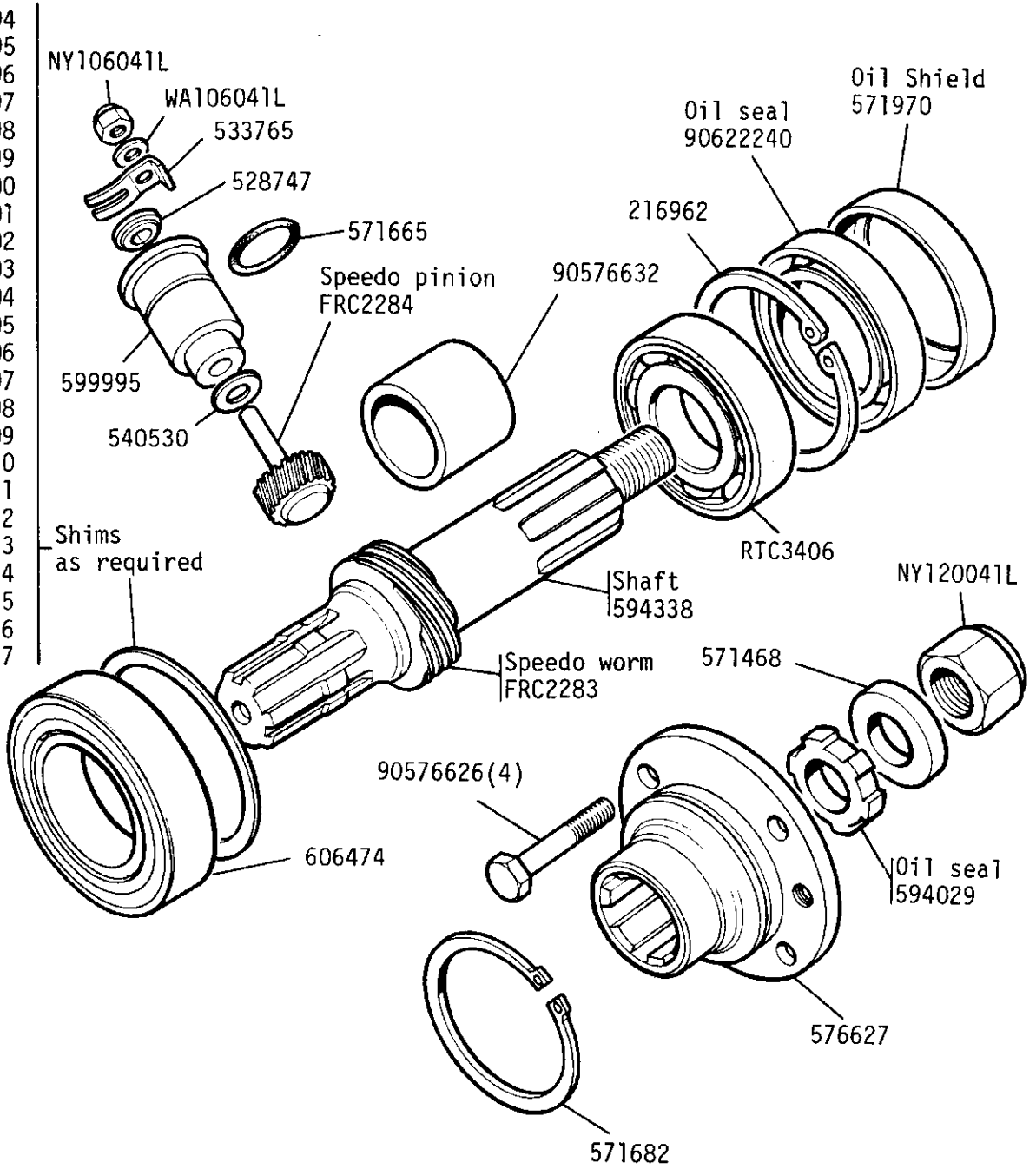
Differential includes Low range gear and fixings as balanced set

GROUP D
 GEARBOX - DIFFERENTIAL 109 V8 FROM GEARBOX No 88113134A

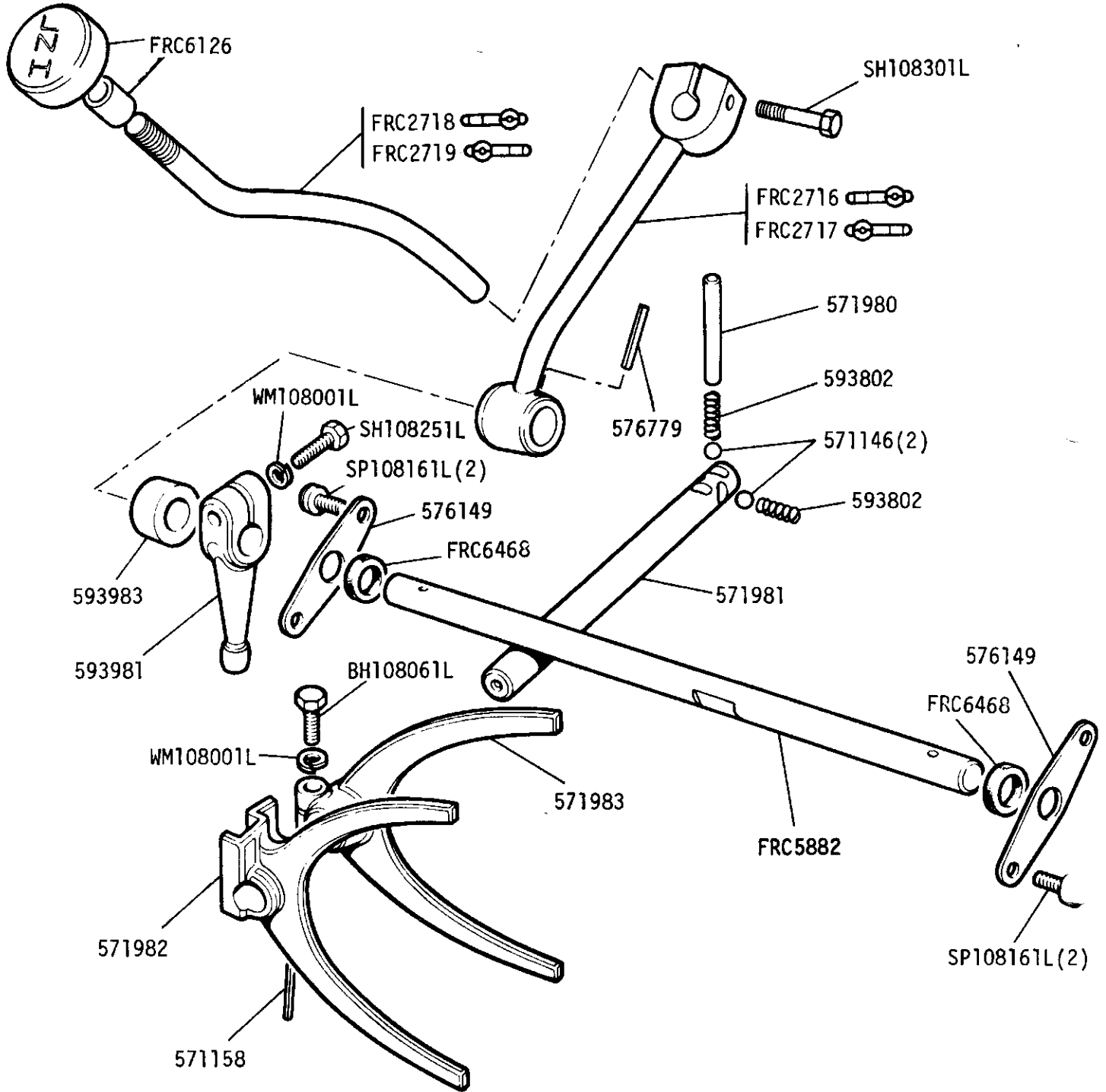


GROUP D
 GEARBOX - Rear Output Shaft, Gears and Speedo Worm Drive 109 V8

- 1.65mm 593694
- 1.70mm 593695
- 1.75mm 593696
- 1.80mm 593697
- 1.85mm 593698
- 1.90mm 593699
- 1.95mm 593700
- 2.00mm 593701
- 2.05mm 593702
- 2.10mm 593703
- 2.15mm 593704
- 2.20mm 593705
- 2.25mm 593706
- 2.30mm 593707
- 2.35mm 593708
- 2.40mm 593709
- 2.45mm 593710
- 2.50mm 593711
- 2.55mm 593712
- 2.60mm 593713
- 2.65mm 593714
- 2.70mm 593715
- 2.75mm 593716
- 2.80mm 593717



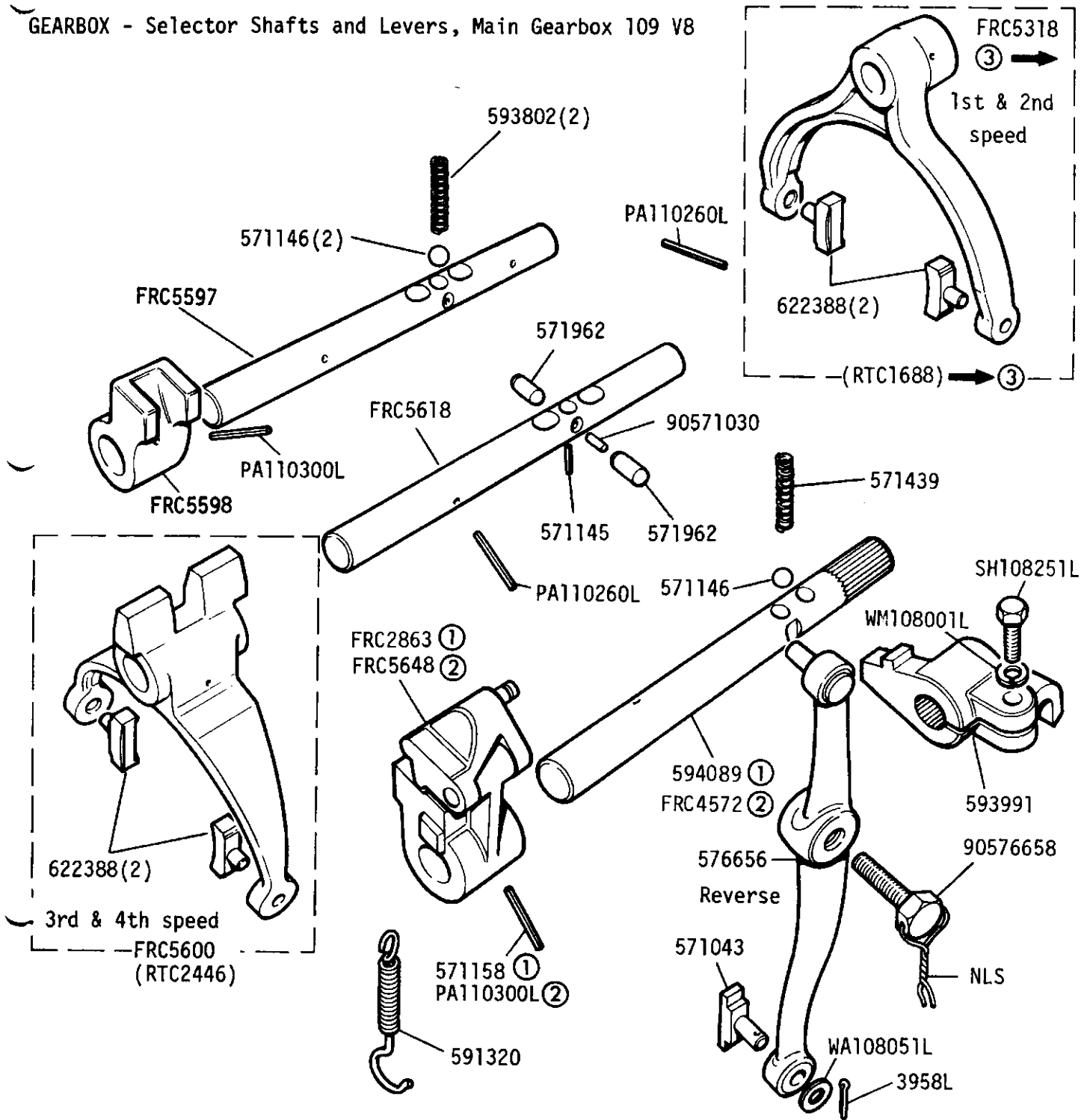
GROUP D
 GEARBOX - Selector Shafts and Levers, Transfer Gearbox 109 V8



Transfer gear lever, knob and fixings are not part of gearbox assembly

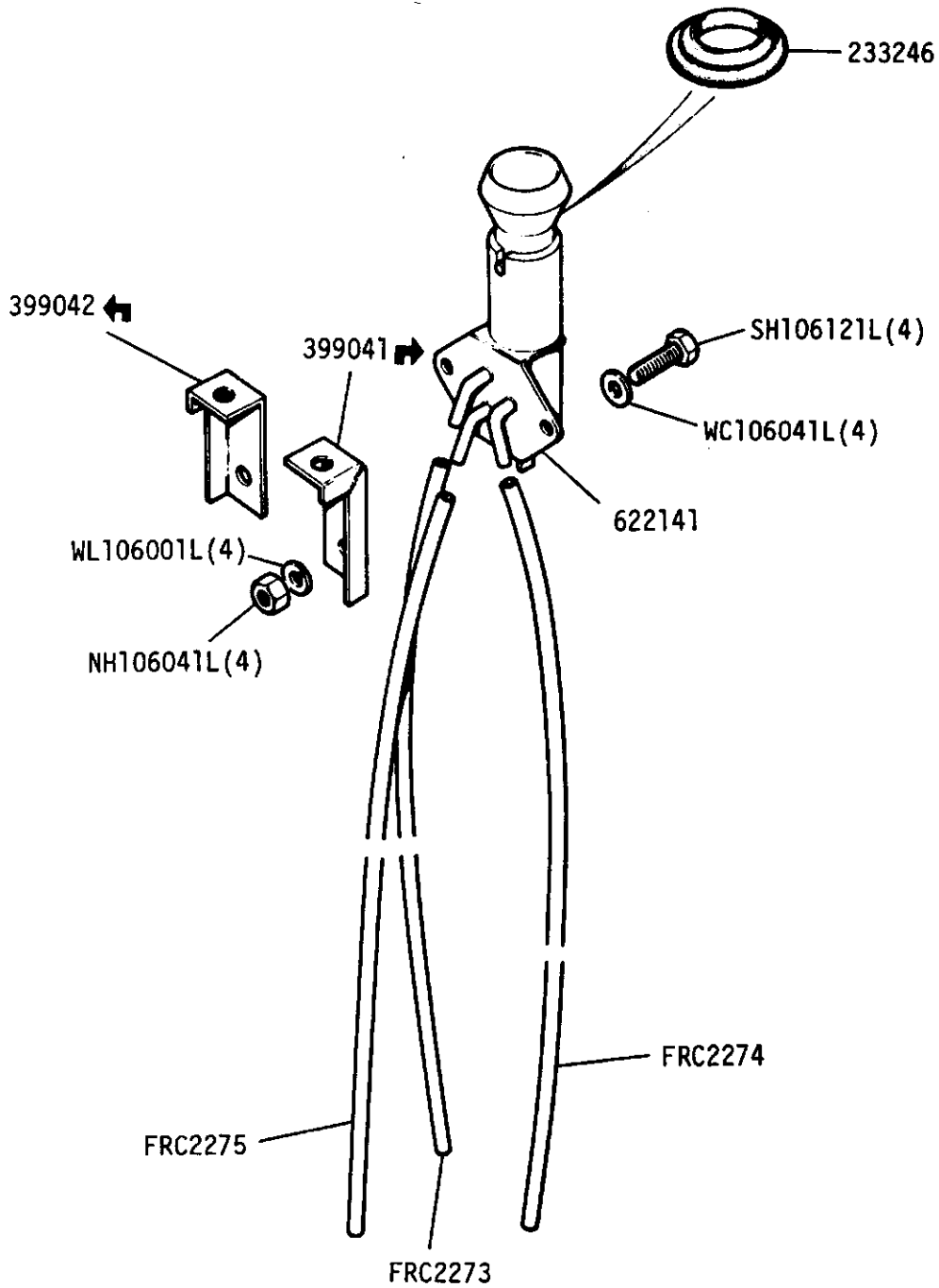
GROUP D

GEARBOX - Selector Shafts and Levers, Main Gearbox 109 V8



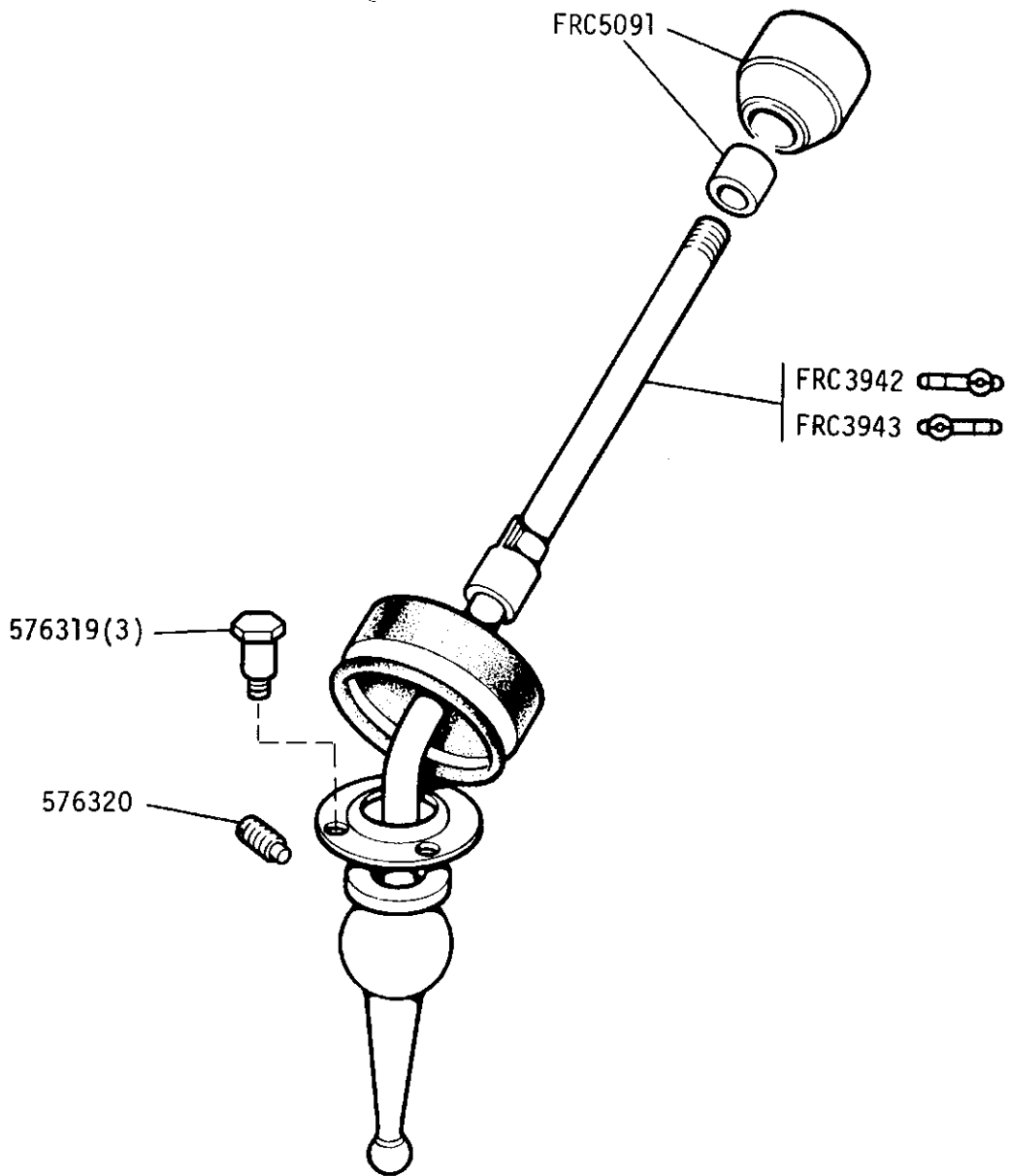
- ① Up to Gearbox Number 88104554A
- ② From Gearbox Number 88104555A onwards
- ③ FROM GEARBOX NUMBER 88108316

GROUP D
GEARBOX - Vacuum Control Valve 109 V8



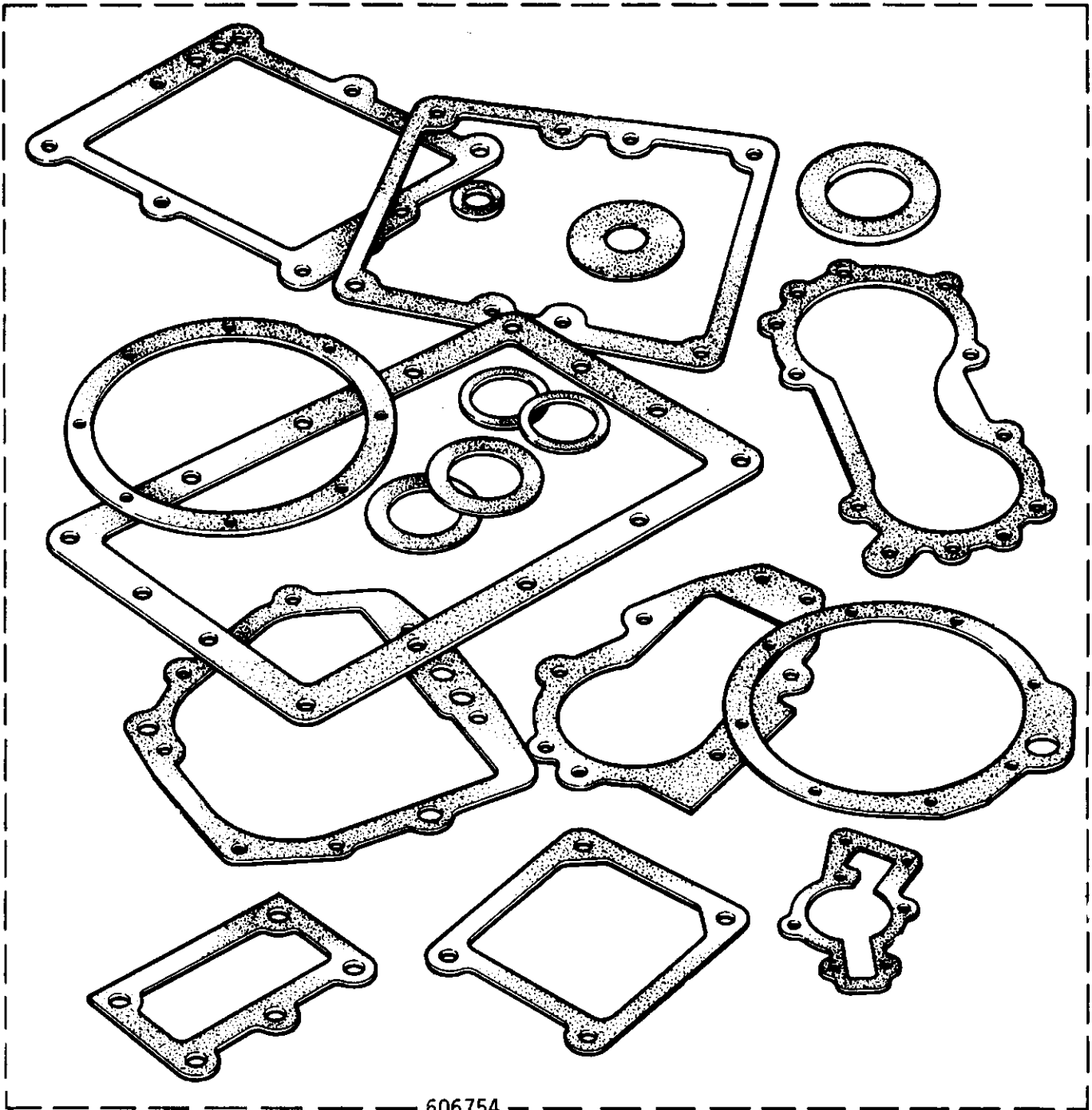
All items on this frame are not part of gearbox assembly

GROUP D
GEARBOX - Main Gear Lever 109 V8



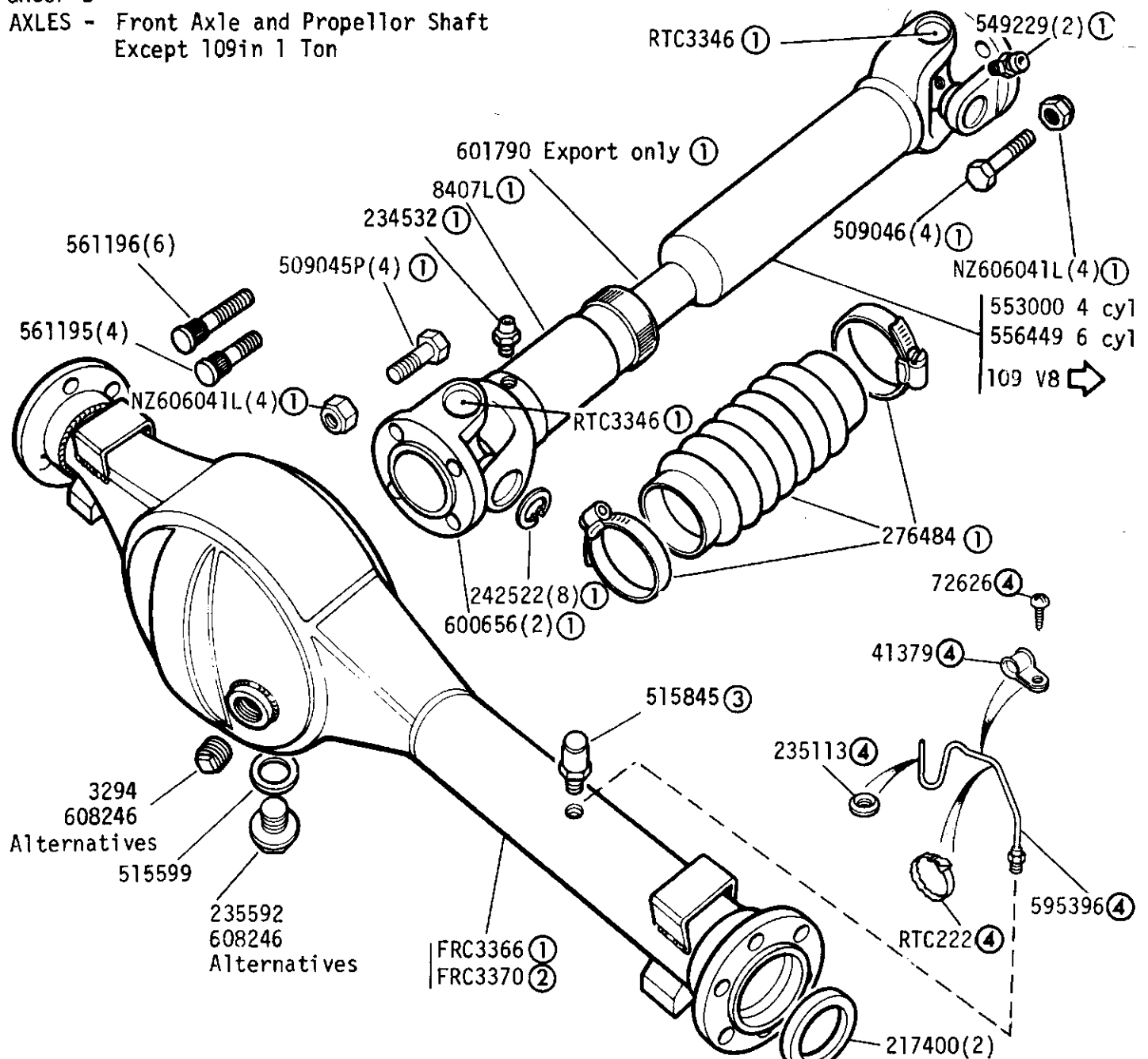
All items on this frame are not part of gearbox assembly

GROUP D
GEARBOX GASKET KIT 109 V8



GROUP E

AXLES - Front Axle and Propellor Shaft
Except 109in 1 Ton

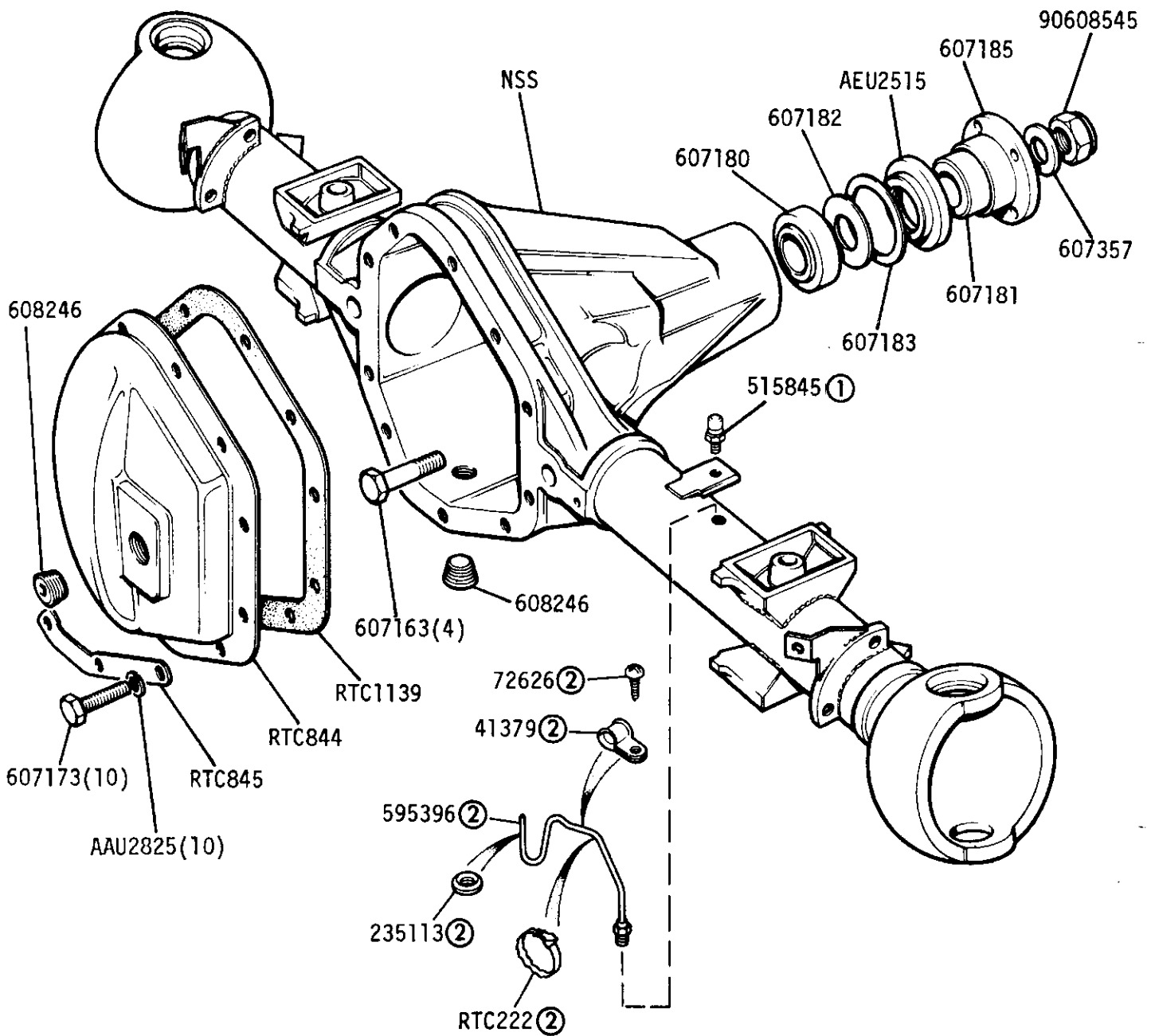



Front axle assembly FRC4396		88	① Except 109 V8
Front axle assembly FRC4397			② 109 V8
Front axle assembly FRC4396		109	③ Fitted upto Vehicle 14269
Front axle assembly FRC4397		4 Cyl	④ Fitted from Vehicle 14270 onwards
Front axle assembly FRC3396		109	
Front axle assembly FRC3387		6 Cyl	
Front axle assembly FRC4406		109 V8	
Front axle assembly FRC4407			


Front axle assemblies include differential, brakes, universal joints, front hubs and steering track rod

GROUP E


AXLE - Front Casing 109 in 1 Ton - Salisbury Axle
Up to August 1974



Front axle assembly FRC3398 

Front axle assembly FRC3399 

Front axle assembly less hubs, brake units and axle shafts 594312

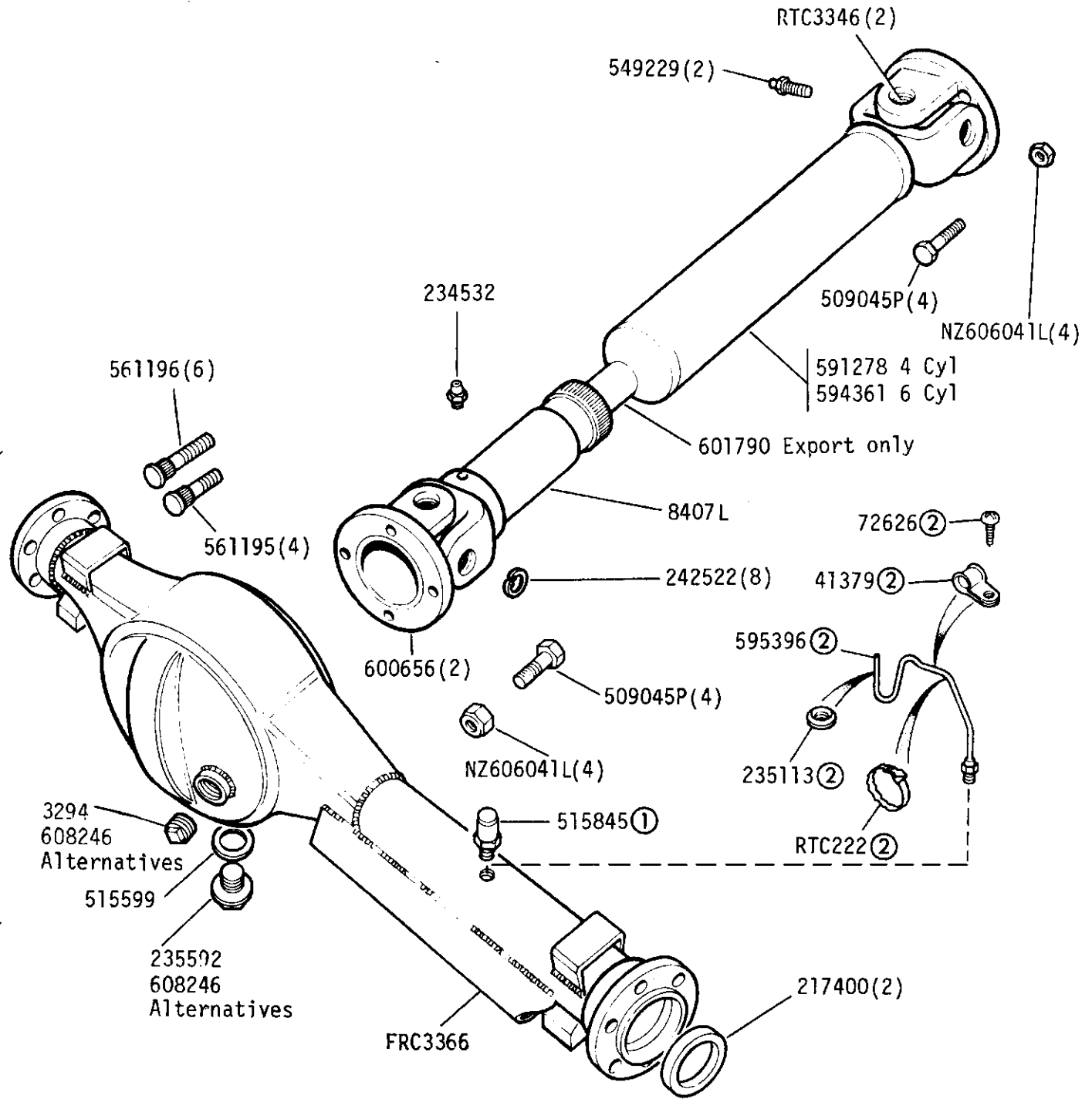
 adjacent frame for Rover Axle and Front Propeller Shaft

① Fitted upto Vehicle 14269

② Fitted from Vehicle 14270 onwards

GROUP E

AXLES - Front Axle and Propellor Shaft 109in 1 Ton - Rover Axle
From September 1974 onwards



Front axle assembly FRC3398

Front axle assembly FRC3399

Front axle assemblies include differential, brakes, universal joints,
front hubs, and steering track rod

adjacent frame for Salisbury Axle

① Fitted upto Vehicle 14269

② Fitted from Vehicle 14270 onwards

GROUP E
PROPELLOR SHAFT - Front 109V8

FRC2175

RTC3346

242522(4)

549229

AEU1997(2)

AEU1583

571447(4)

NY607041L(4)

NZ606041L(4)

509045P(4)

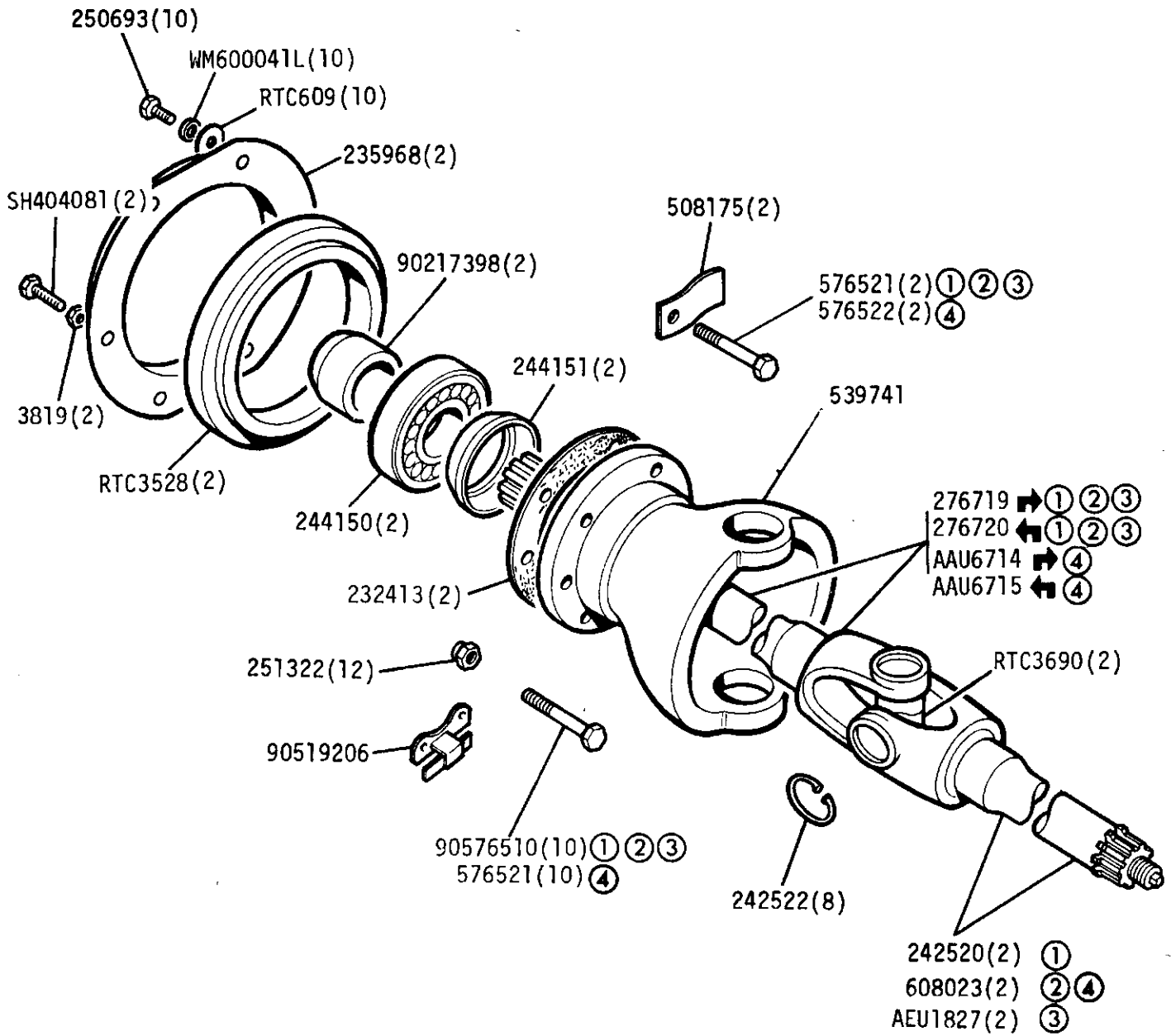
CN100508

CJ600384L

AEU1584

Centreing device kit for double joint AEU1998

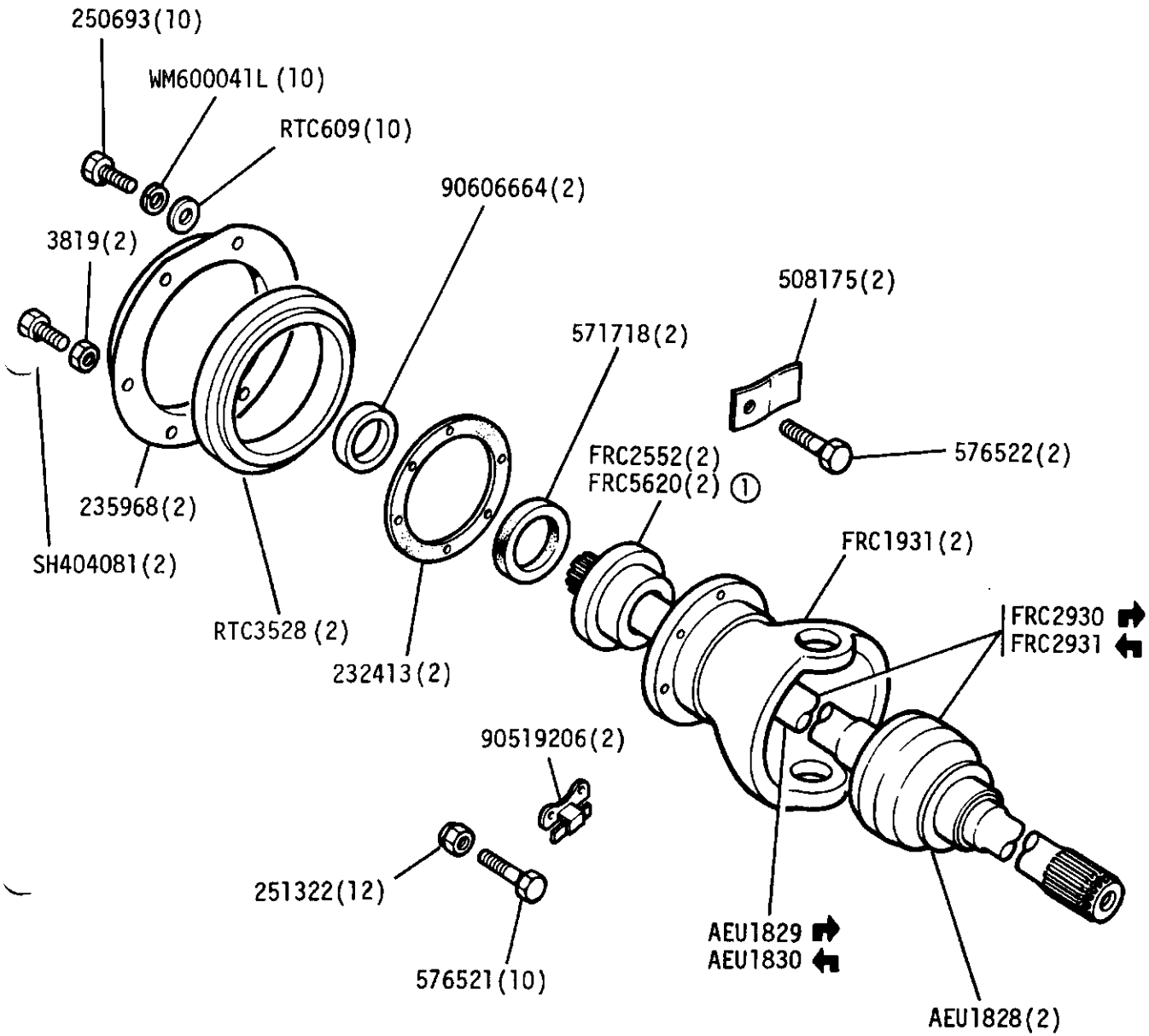
GROUP E
 AXLES - Swivel Pin Bearing Housing and Half Shaft - Except 109V8



①	88in up to June 1980	}	Halfshaft complete	↔	269265
			Halfshaft complete	↔	269266
②	88in from July to September 1980	}	Halfshaft complete	↔	576777
	109in except 1 Ton to September 1980		Halfshaft complete	↔	576778
③	88in and 109in except 1 Ton	}	Halfshaft complete	↔	FRC3906
	From October 1980 onwards		Halfshaft complete	↔	FRC3907
④	109in 1 Ton	}	Halfshaft complete	↔	594322
			Halfshaft complete	↔	594323

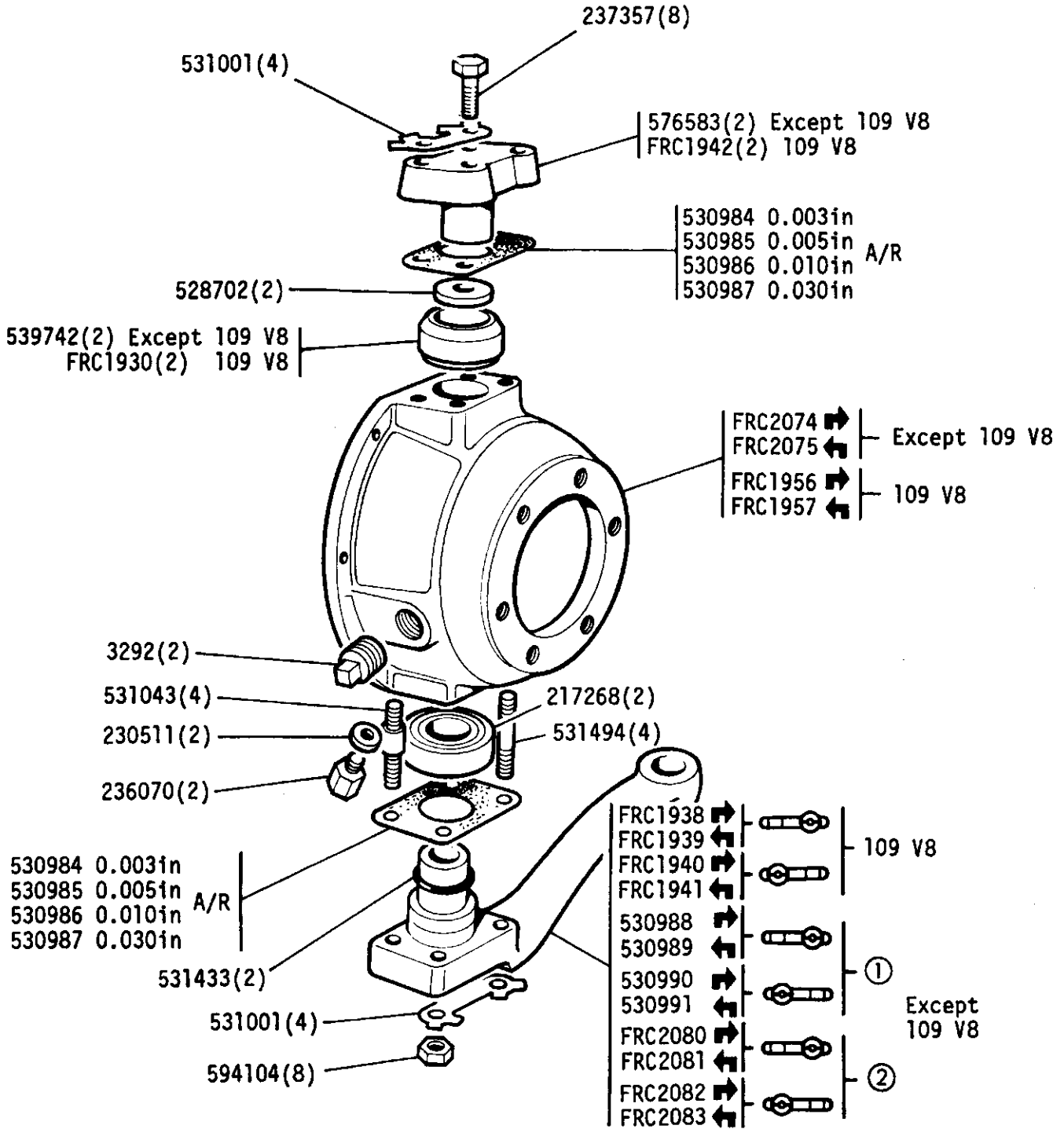
GROUP E

AXLES - Swivel pin bearing housing and halfshaft - 109V8



① 109 V8 Armoured car

GROUP E
AXLES - Swivel Pin Housing

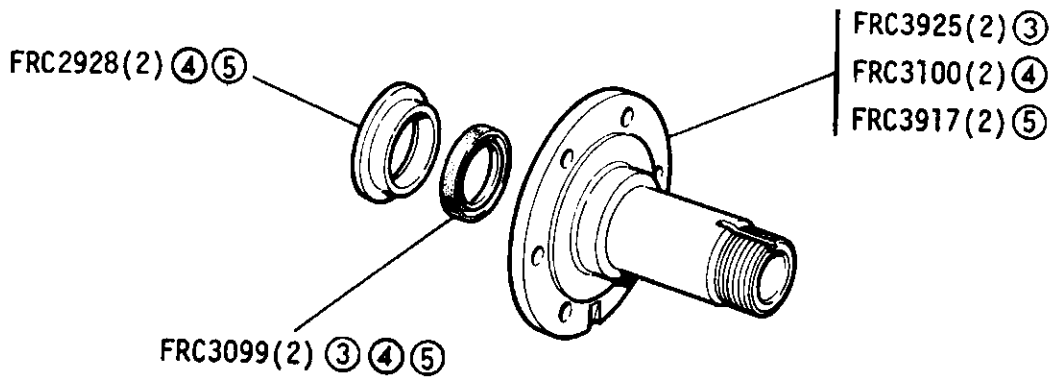
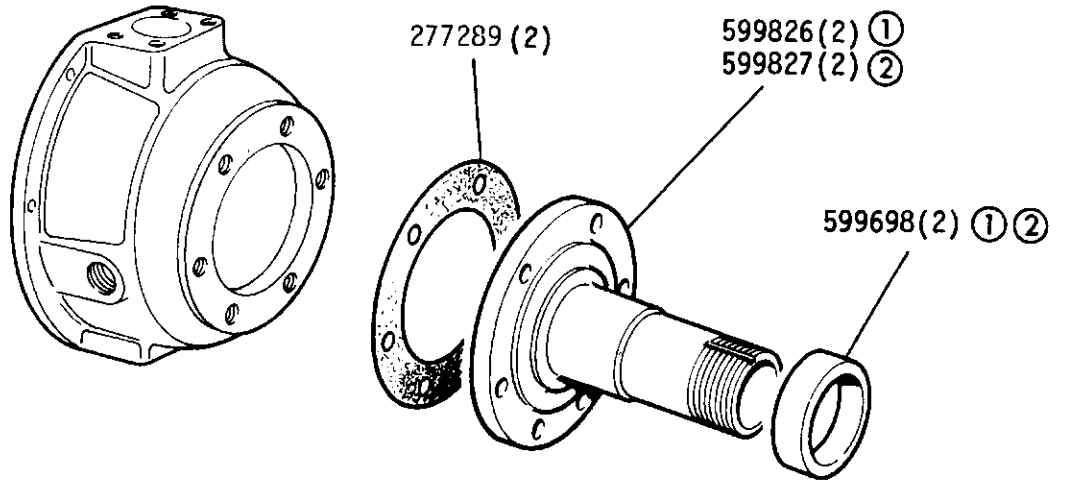


① Early Models

② Late Models

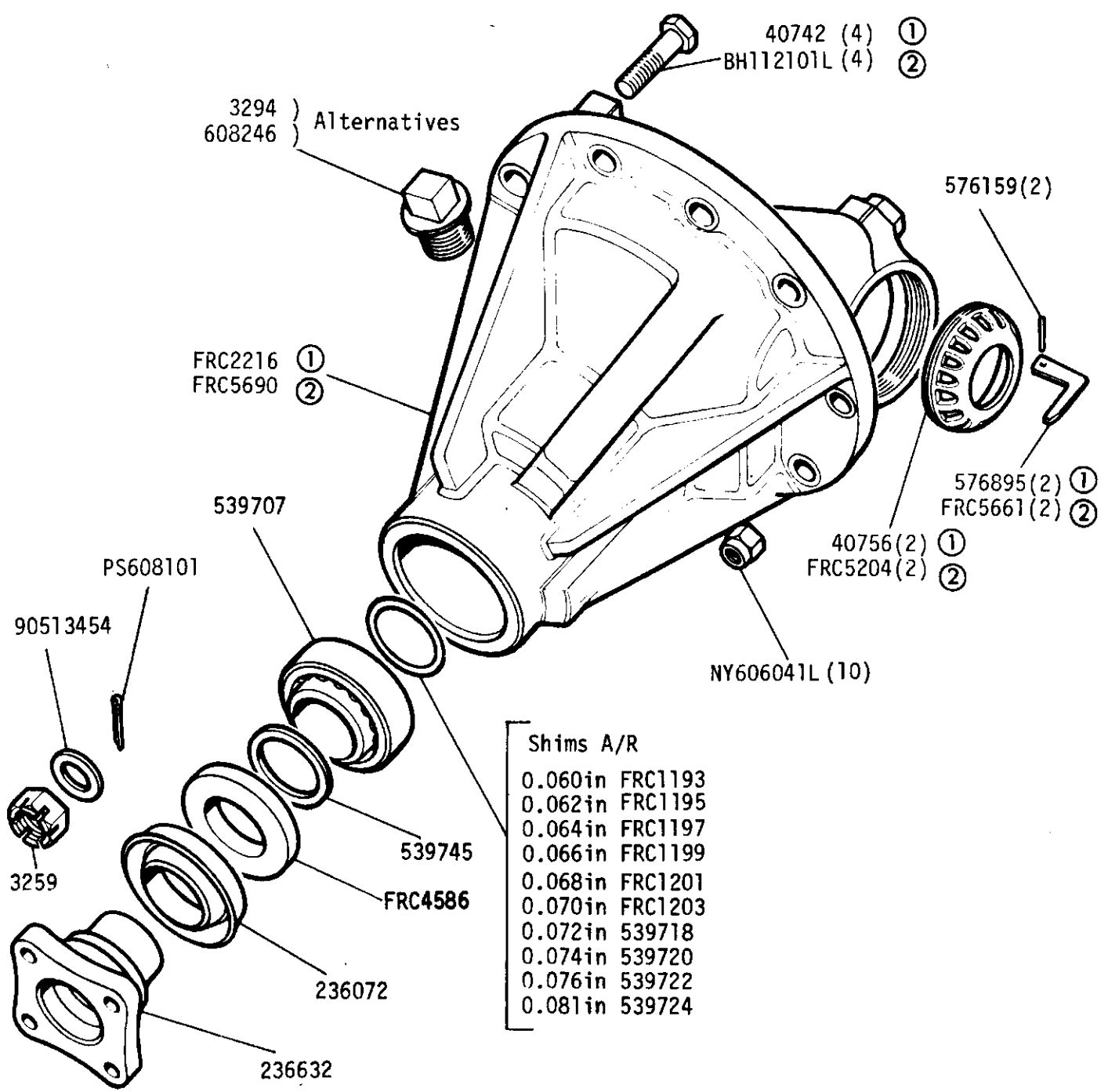
All items on this frame are also applicable to 109 1 Ton models

GROUP E
AXLES - stub axle



- ① 88 up to June 1980
- ② 109 up to Sept 1980
also 88 from July to Sept 1980
- ③ 88 and 109 from Oct 1980
- ④ 109 V8 up to Sept 1980
- ⑤ 109 V8 from Oct 1980

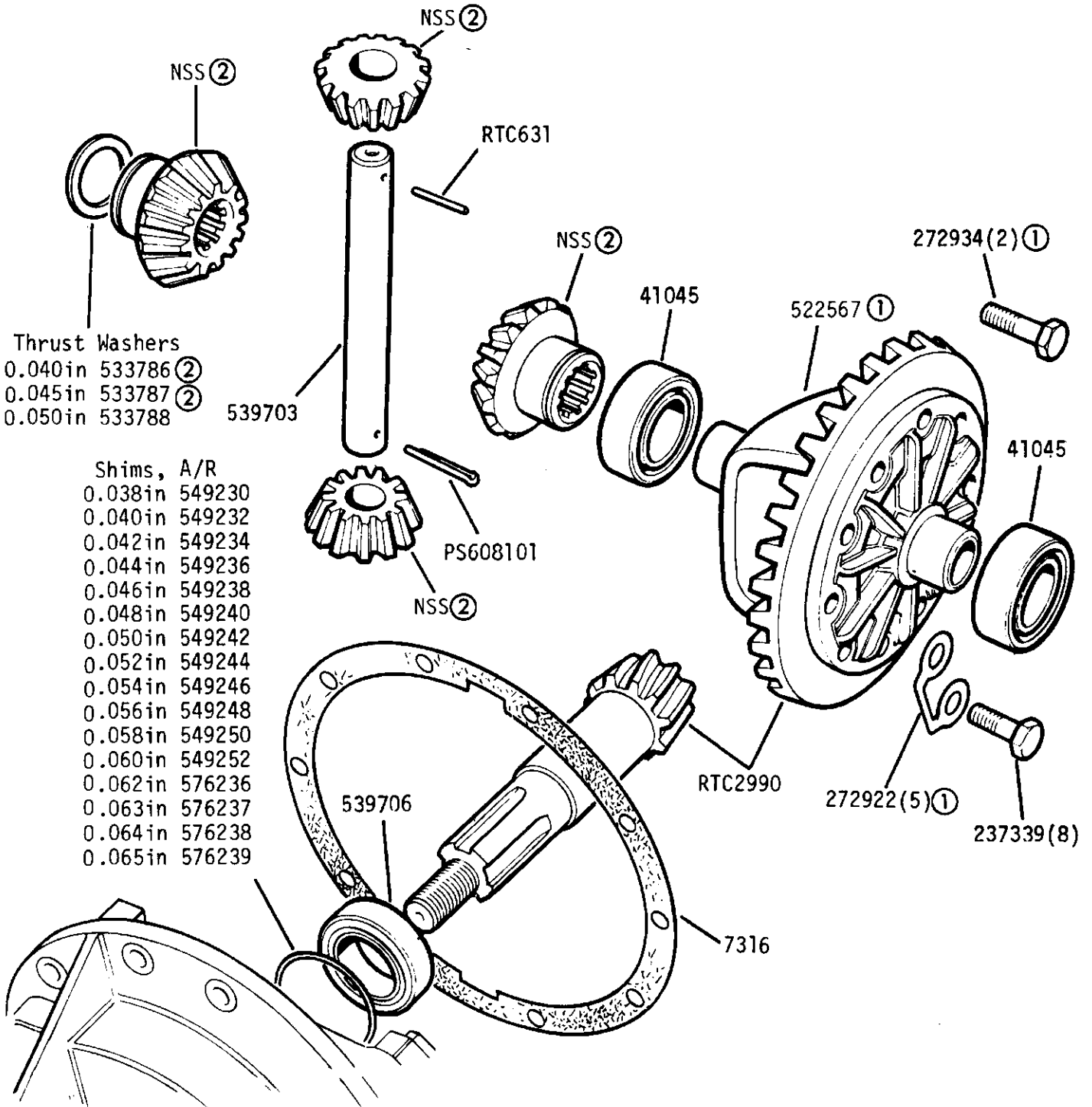
GROUP E
 AXLES - Differential Housing 88in - Front and Rear
 109in - Front, except 109in 1 Ton



①	88 and 109	Front Axles - Suffix 'C' to 'G'	Differential Assembly
	88	Rear Axle - Suffix 'C' to 'F'	
	109 V3	Front Axle - Up to Suffix 'C'	109in FRC7778 1 off
			109in V8 FRC5688 1 off
②	88 and 109	Front Axles - Suffix 'H' onwards	
	88	Rear Axle - Suffix 'G' onwards	
	109 V8	Front Axle - Suffix 'D' onwards	

GROUP E

AXLES - Front and Rear - Differential Crown Wheel and Pinion Except 109in 1 Ton



Quantities quoted are for one differential

109in Front, up to axle suffix 'B'

88in Front and rear up to axle suffix 'B'

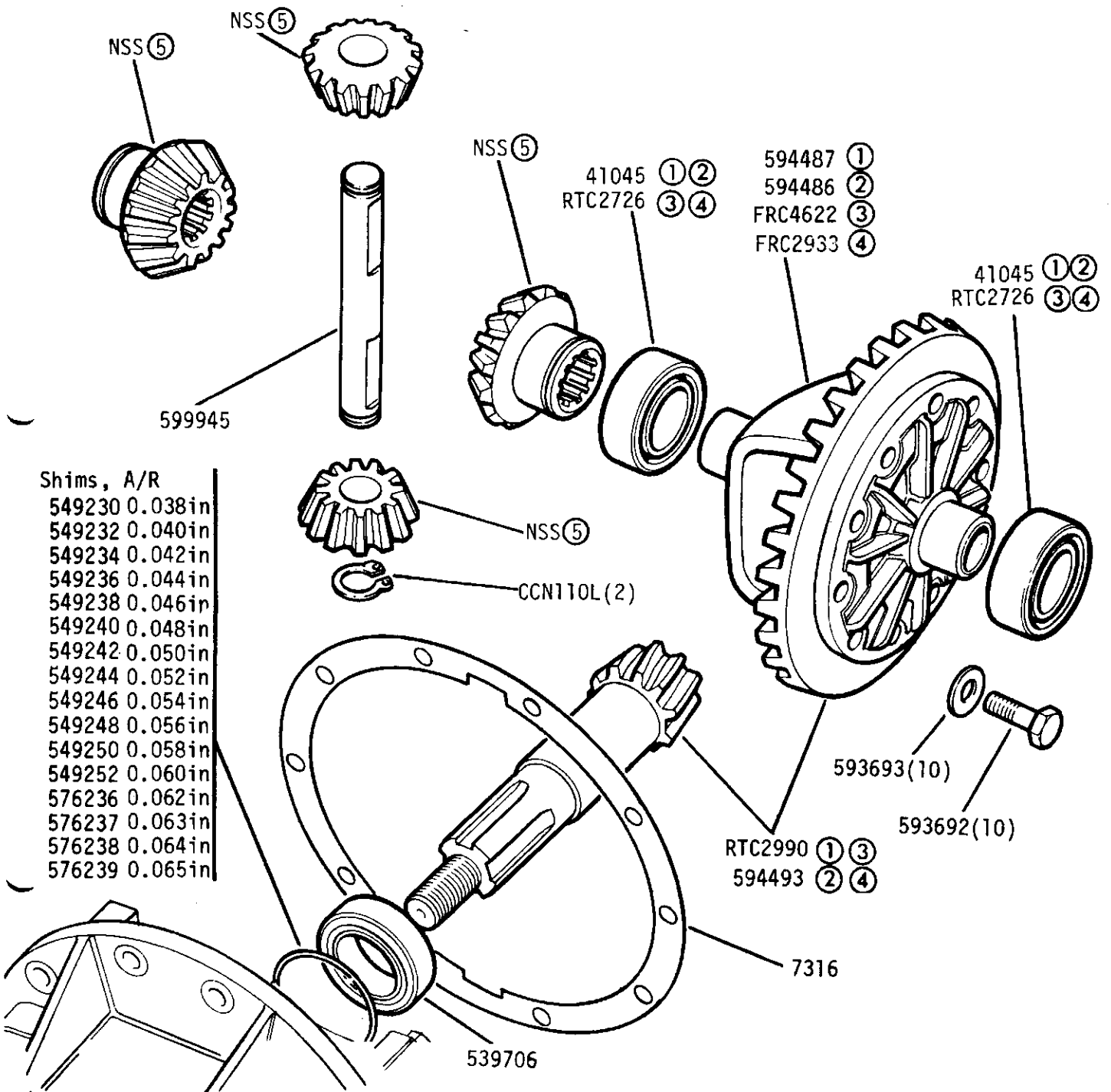
Differential casing assembly 273441

① Part of differential casing assembly 273441

② Part of Differential Gear Kit :- RTC4489 (Matched Set)

GROUP E

AXLES - Differential Crown Wheel and Pinion
EXCEPT 109in 1 Ton



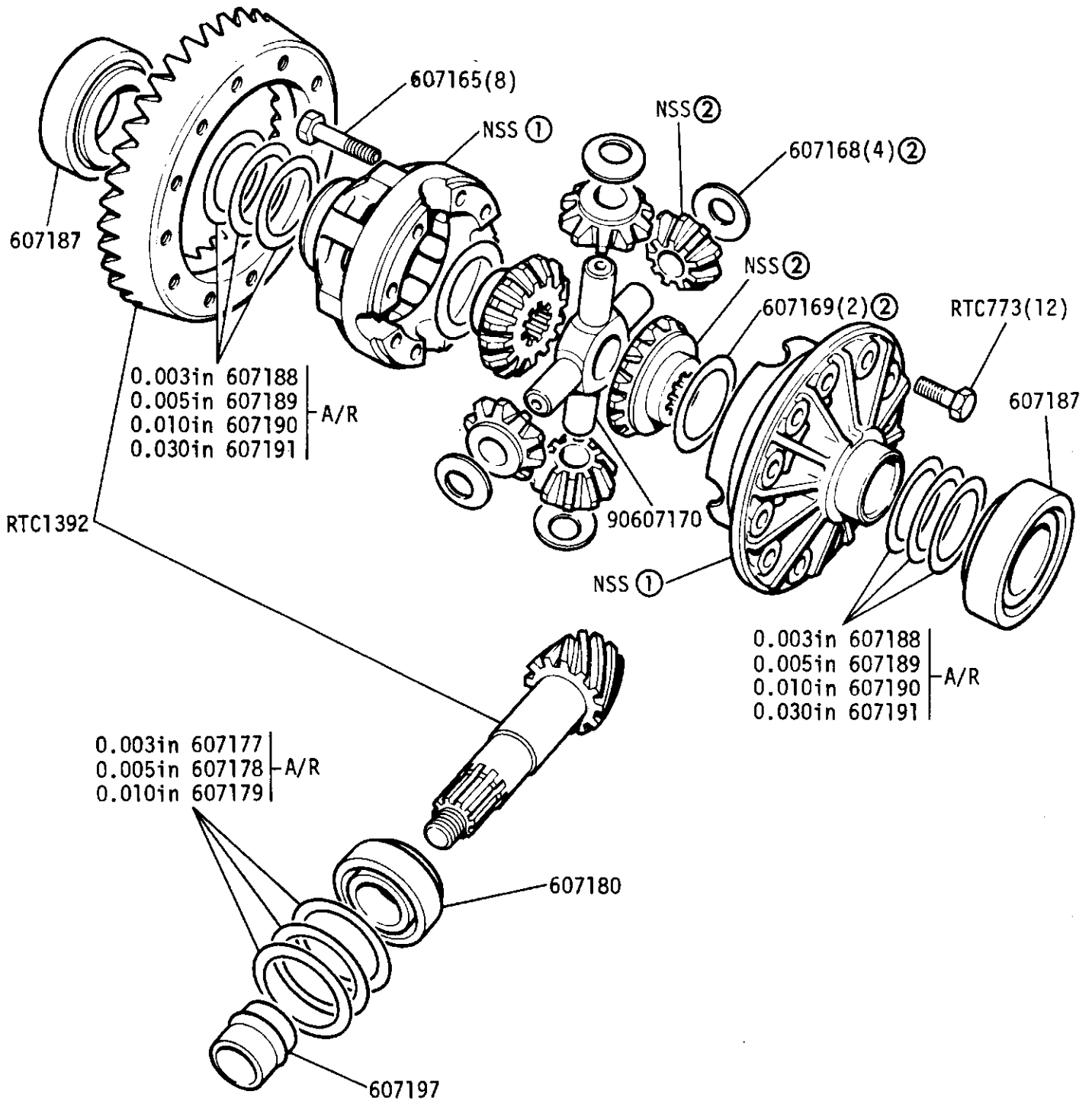
Shims, A/R

549230	0.038in
549232	0.040in
549234	0.042in
549236	0.044in
549238	0.046in
549240	0.048in
549242	0.050in
549244	0.052in
549246	0.054in
549248	0.056in
549250	0.058in
549252	0.060in
576236	0.062in
576237	0.063in
576238	0.064in
576239	0.065in

Quantities quoted are for one differential

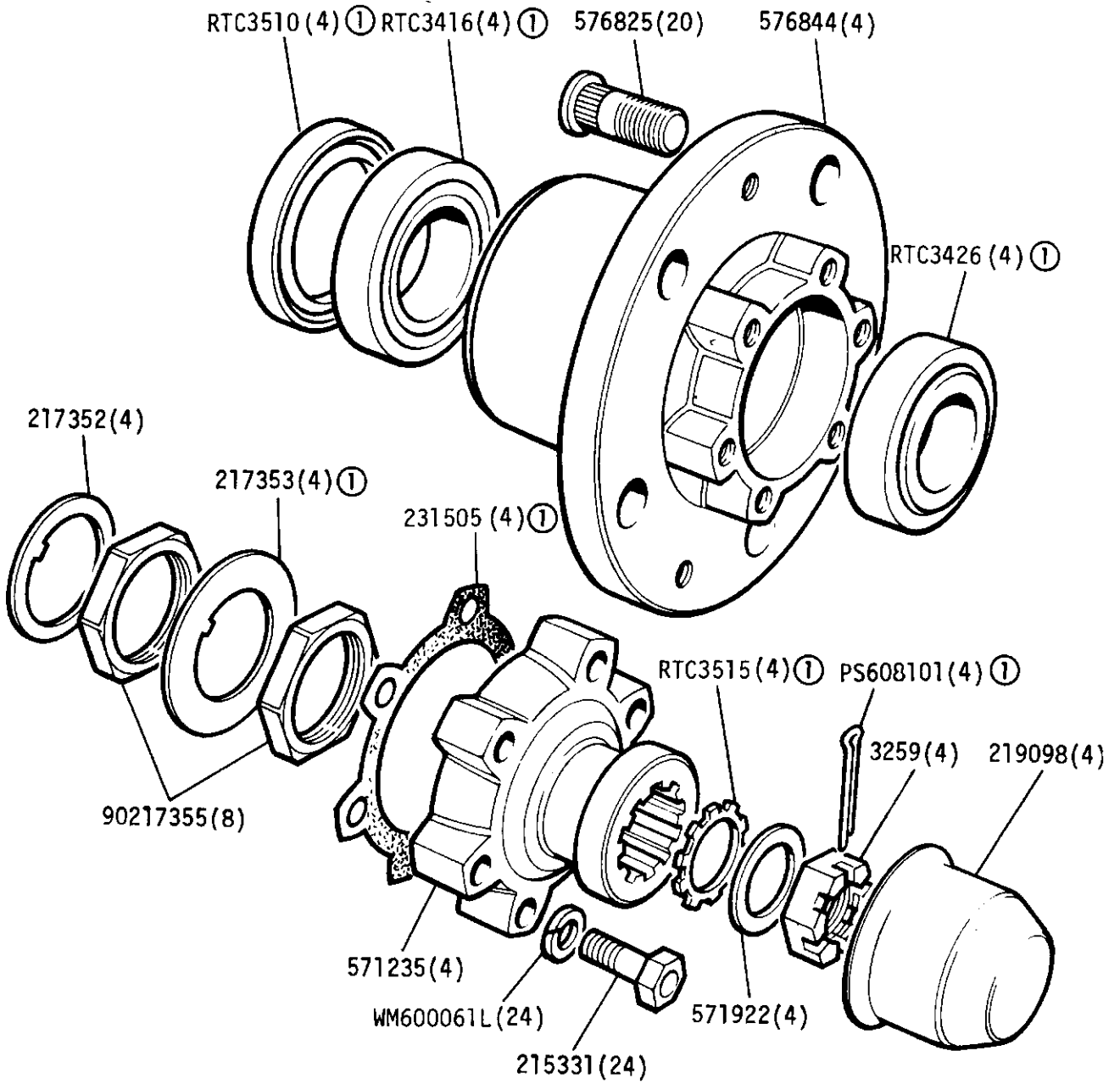
- ① [88 and 109 Front Axles - Suffix 'C' to 'G'
- 88 Rear Axle - Suffix 'C' to 'F'
- ② 109 V8 Front Axle - Up to Suffix 'C'
- ③ [88 and 109 Front Axles - Suffix 'H' onwards
- 88 Rear Axle - Suffix 'G' onwards
- ④ 109 V8 Front Axle - Suffix 'D' onwards
- ⑤ Part of Differential Gear Kit :- RTC4486 (Matched Set)

GROUP E
 AXLES - Differential, Front Axle 109in 1 Ton



- ① Differential case less gears 607164
- ② Part of Differential Gear Kit :- RTC4488 (Matched Set)

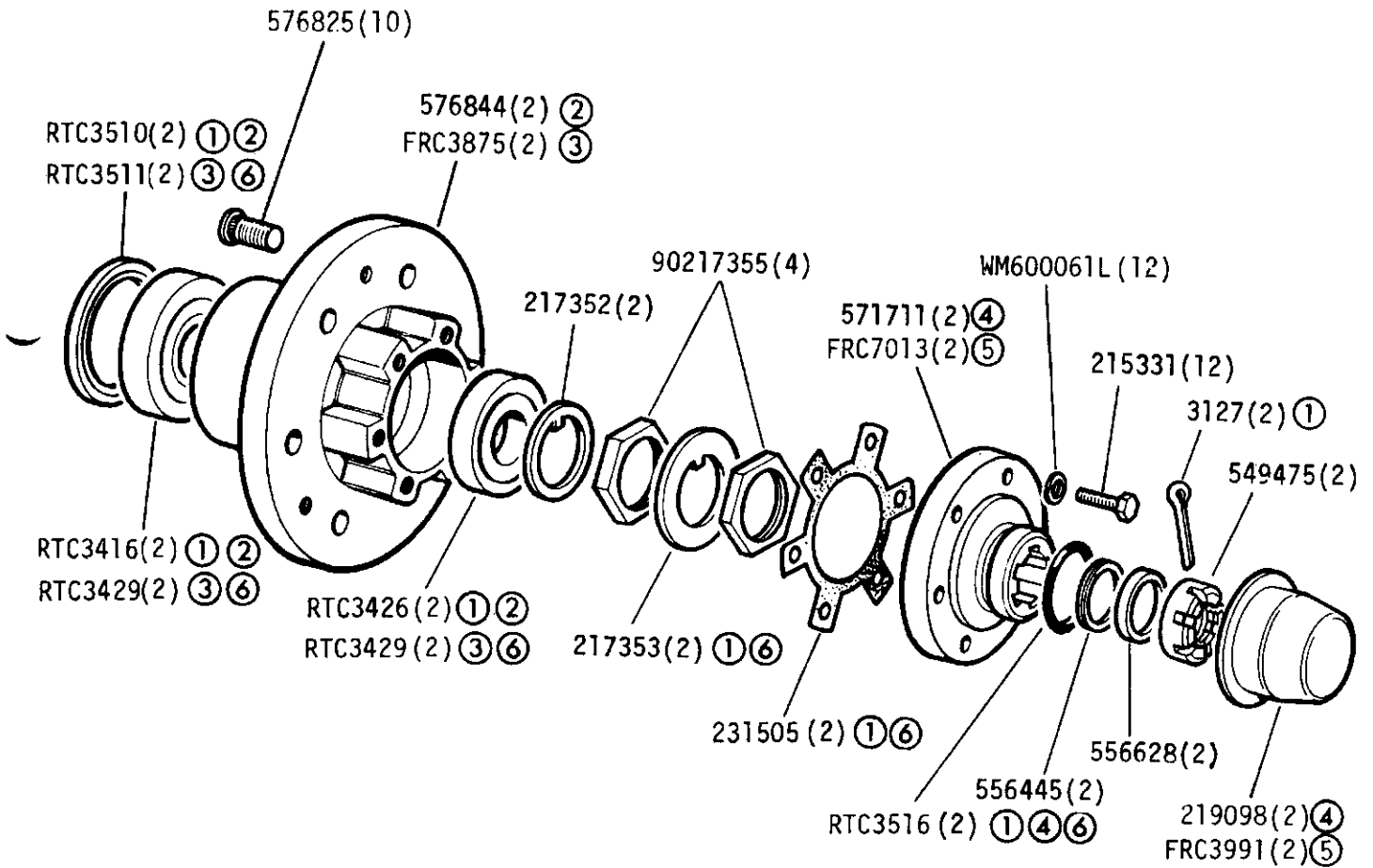
GROUP E
 AXLES - Front and Rear Hub Assemblies 88in
 Up to June 1980



① Part of Hub bearing and oil seal Kit RTC3534

GROUP E

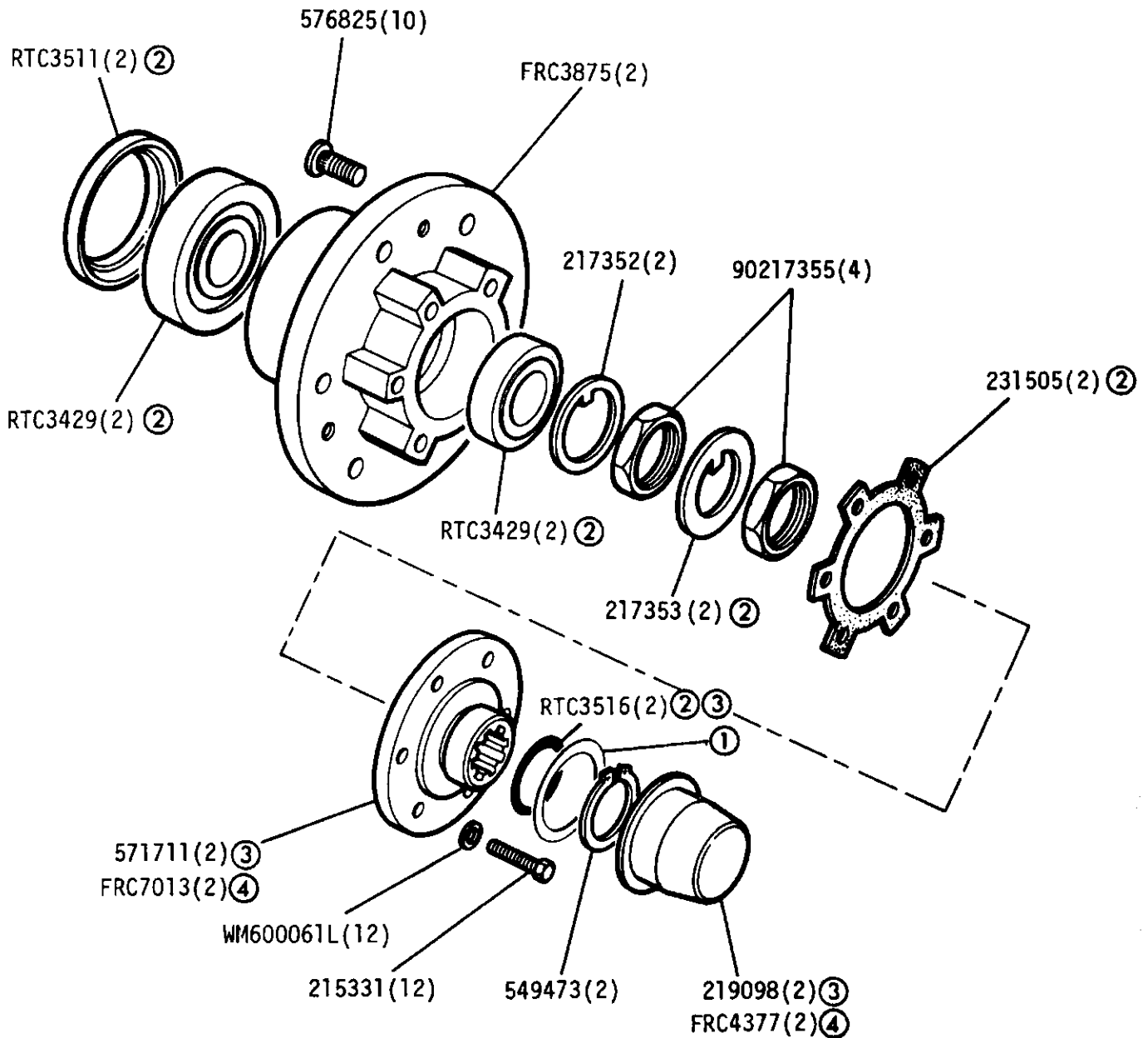
AXLES - Front Hub Assembly - 109in - Excent 109V8
 - 88in from July 1980



All items on this frame are also applicable to 109 1 Ton models

- ① Part of hub bearing and oil seal kit RTC3534
- ② Up to September 1980
- ③ From October 1980
- ④ Upto September 1983
- ⑤ From October 1983
- ⑥ Part of Hub Bearing and Oil Seal Kit - RTC3537

GROUP E
 AXLES - Front hub assembly -109V8



② Part of hub bearing and oil seal kit RTC3537

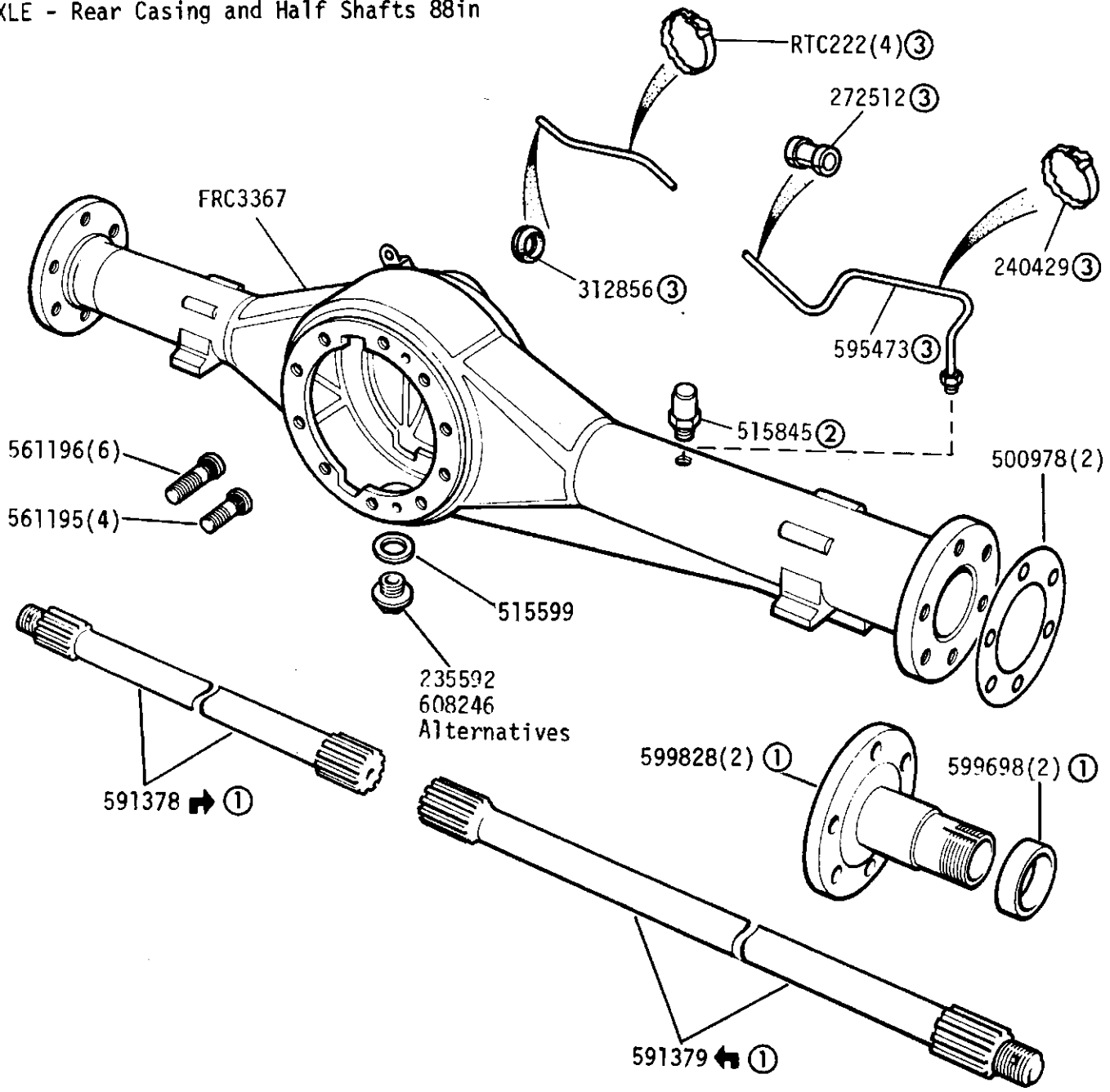
③ Upto September 1983

④ From October 1983

①	.044"	FRC1990	.086"	FRC1983
	.050"	FRC1977	.092"	FRC1984
	.056"	FRC1978	.098"	FRC1985
	.062"	FRC1979	.104"	FRC1986
	.068"	FRC1980	.110"	FRC1987
	.074"	FRC1981	.116"	FRC1988
	.080"	FRC1982	.122"	FRC1989

Shim, as required, quantity 2

GROUP E
 AXLE - Rear Casing and Half Shafts 88in

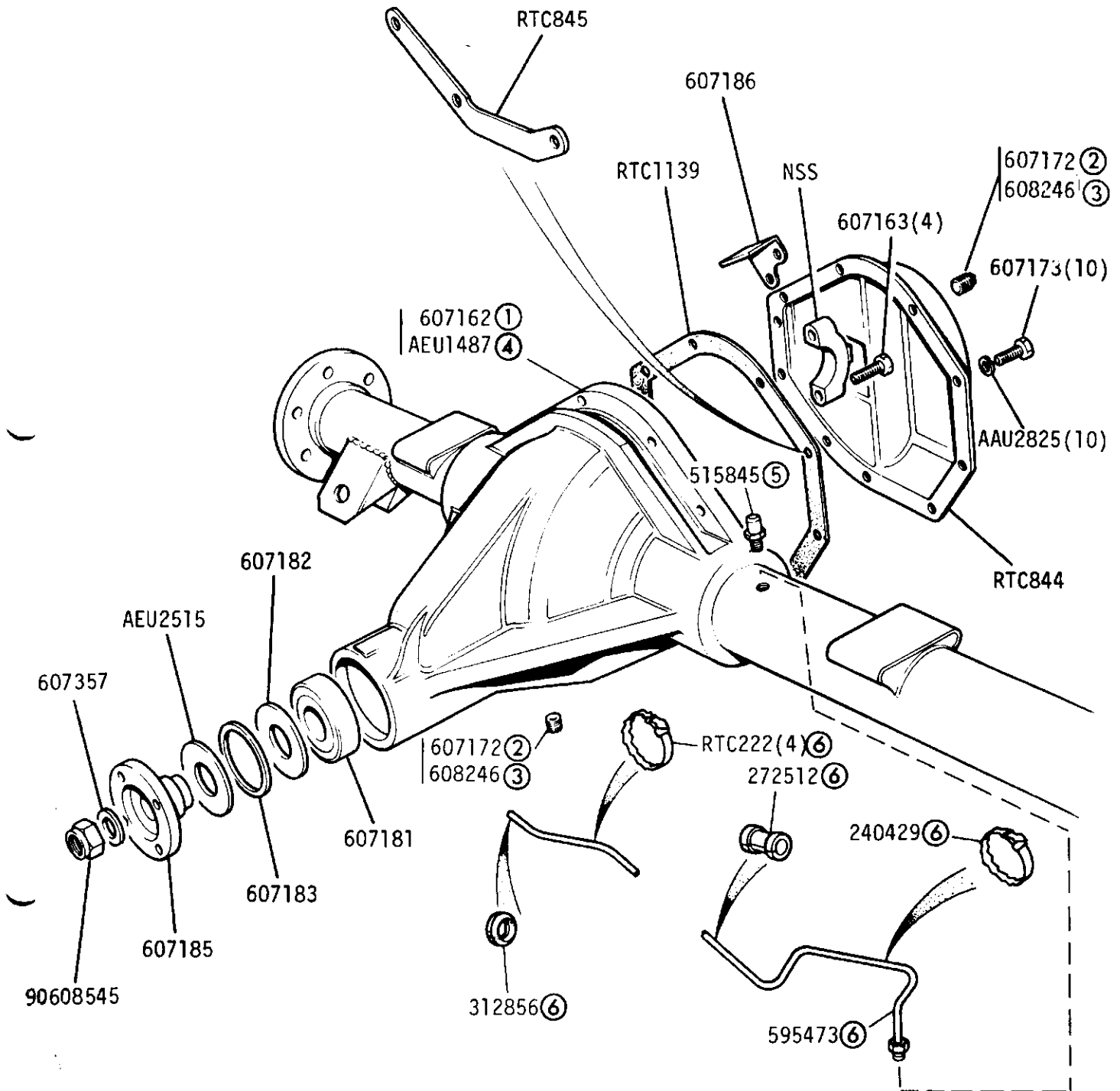


Rear axle assembly FRC7298

- ① Up to June 1980.
From July 1980 refer to Frame 1J 13
- ② Fitted upto Vehicle 14269
- ③ Fitted from Vehicle 14270 onwards

GROUP E

AXLE - Rear Casing 109in



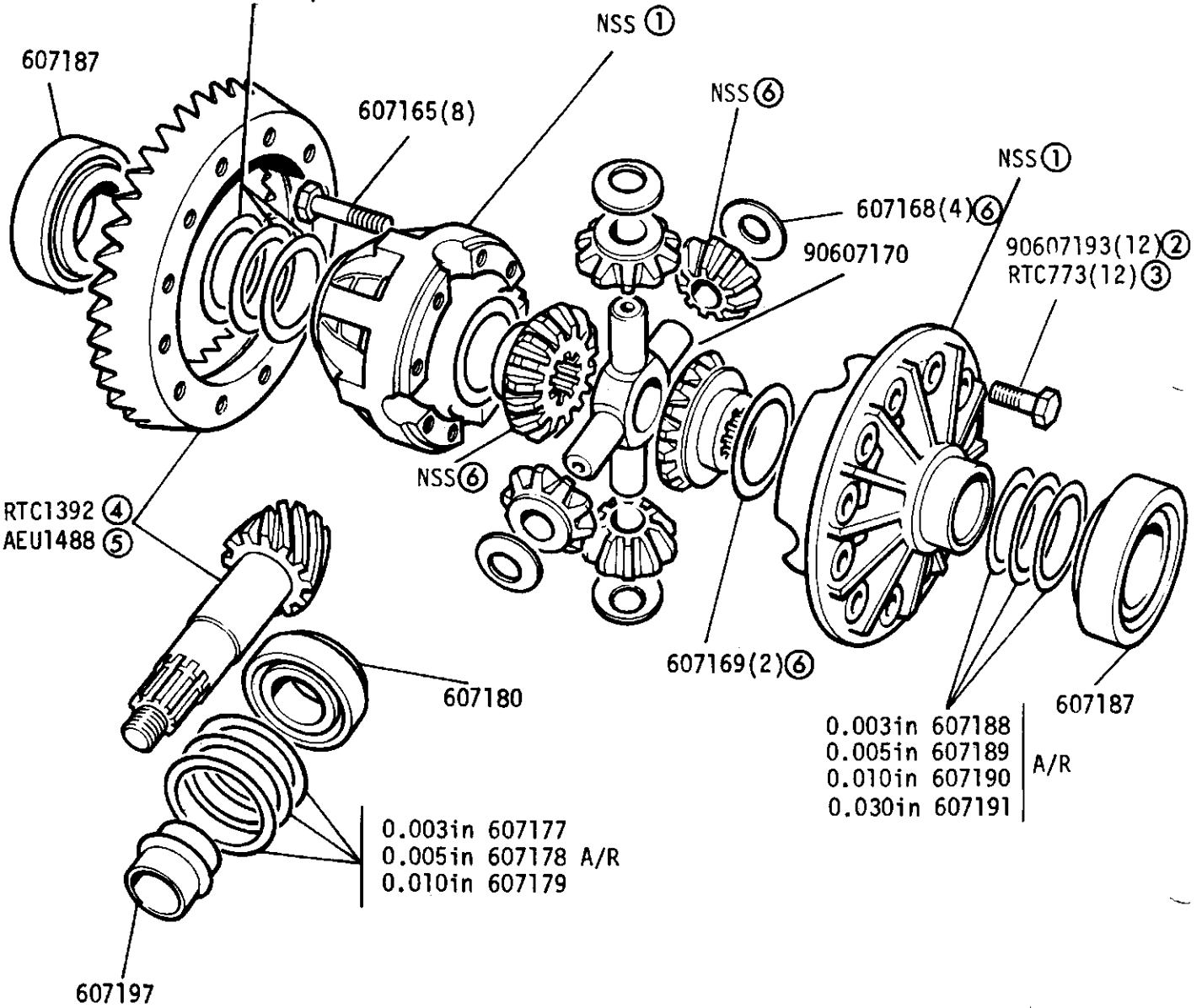
Rear axle assembly FRC4398 109 Except 109 V8 Rear axle assembly FRC4408 109 V8
 Rear axle assembly FRC2137 109 1 Ton
 Rear axle assembly less hubs, brake units and axle shafts 607247 109
 Rear axle assembly less hubs, brake units and axle shafts 594349 109 1 Ton

- | | |
|-----------------------|-------------------------------------|
| ① Except 1 Ton and V8 | ④ 109 V8 |
| ② Square head | ⑤ Fitted upto Vehicle 14269 |
| ③ Recessed head | ⑥ Fitted from Vehicle 14270 onwards |
- Alternatives

GROUP E

AXLES - Differential, Rear Axle 109in

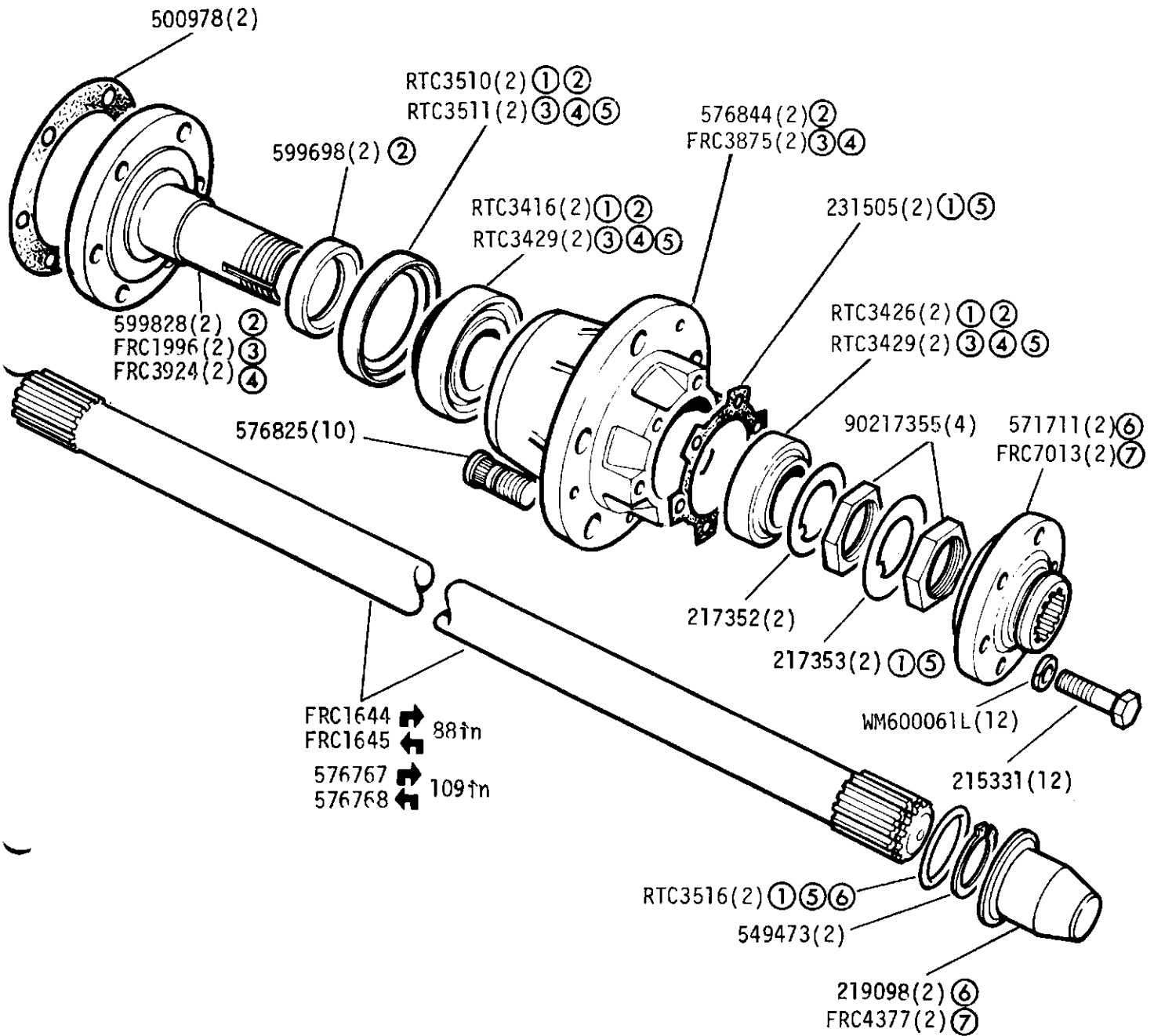
0.003in 607188		A/R
0.005in 607189		
0.010in 607190		
0.030in 607191		



- ① Differential case less gears 607164 Except 109 V8
Differential case less gears AEU1489 109 V8
- ② Coarse thread All items on this frame are also applicable to 109 1 Ton models
- ③ Fine thread
- ④ Except 109 V8
- ⑤ 109 V8
- ⑥ Part of Differential Gear Kit :- RTC4488 (Matched Set)

GROUP E

AXLES - Rear Hub and Axle Shaft - 109in All Models
88in from July 1980

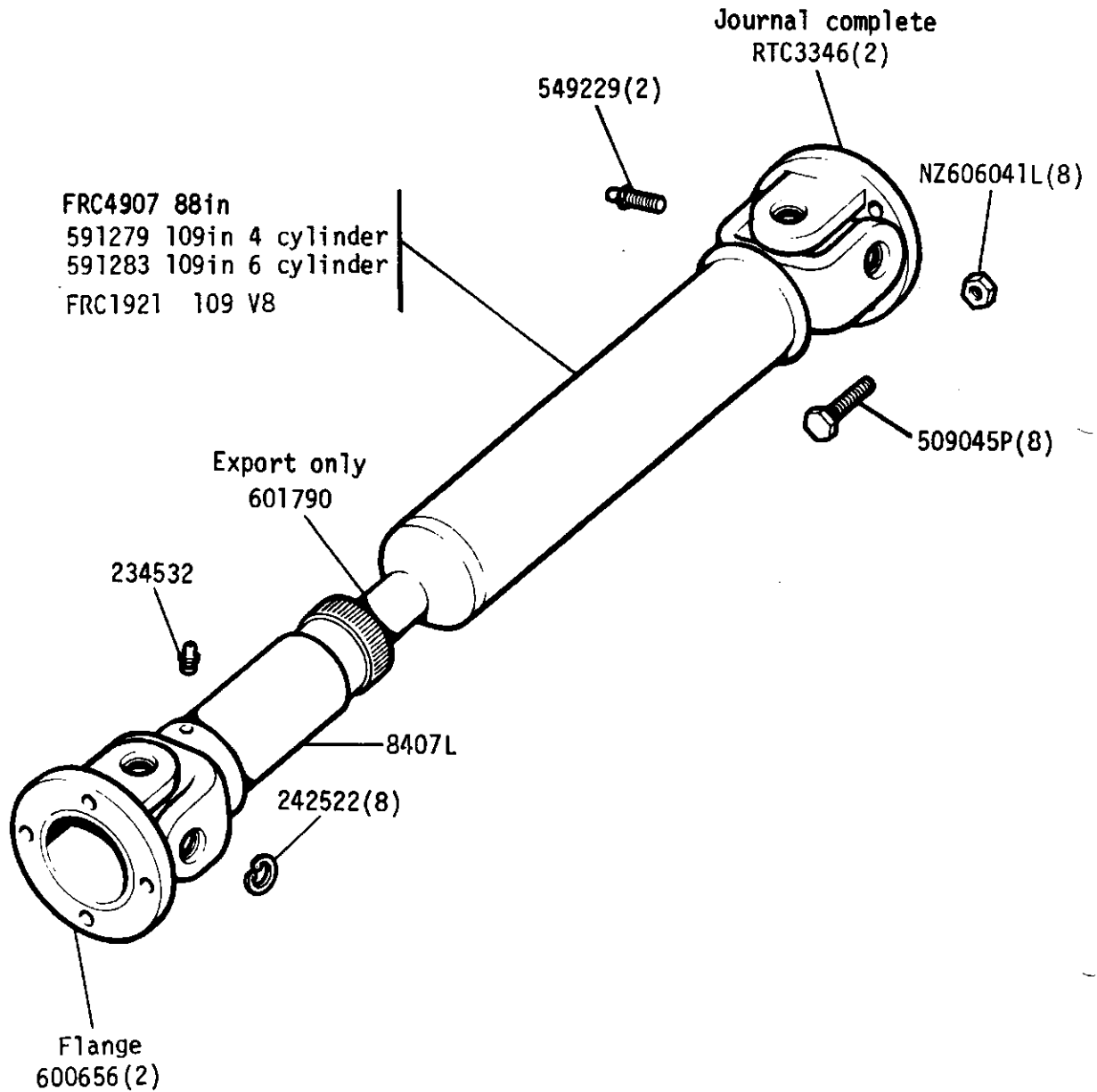


All items on this frame are also applicable to 109 1 Ton models

- ① Part of Hub bearing and oil seal kit RTC3534
- ② Except 109 V8 - Up to September 1980
- ③ 109 V8 - Up to September 1980
- ④ All models - From October 1980
- ⑤ Part of Hub bearing and oil seal kit RTC3537

- ⑥ Upto September 1983
- ⑦ From October 1983

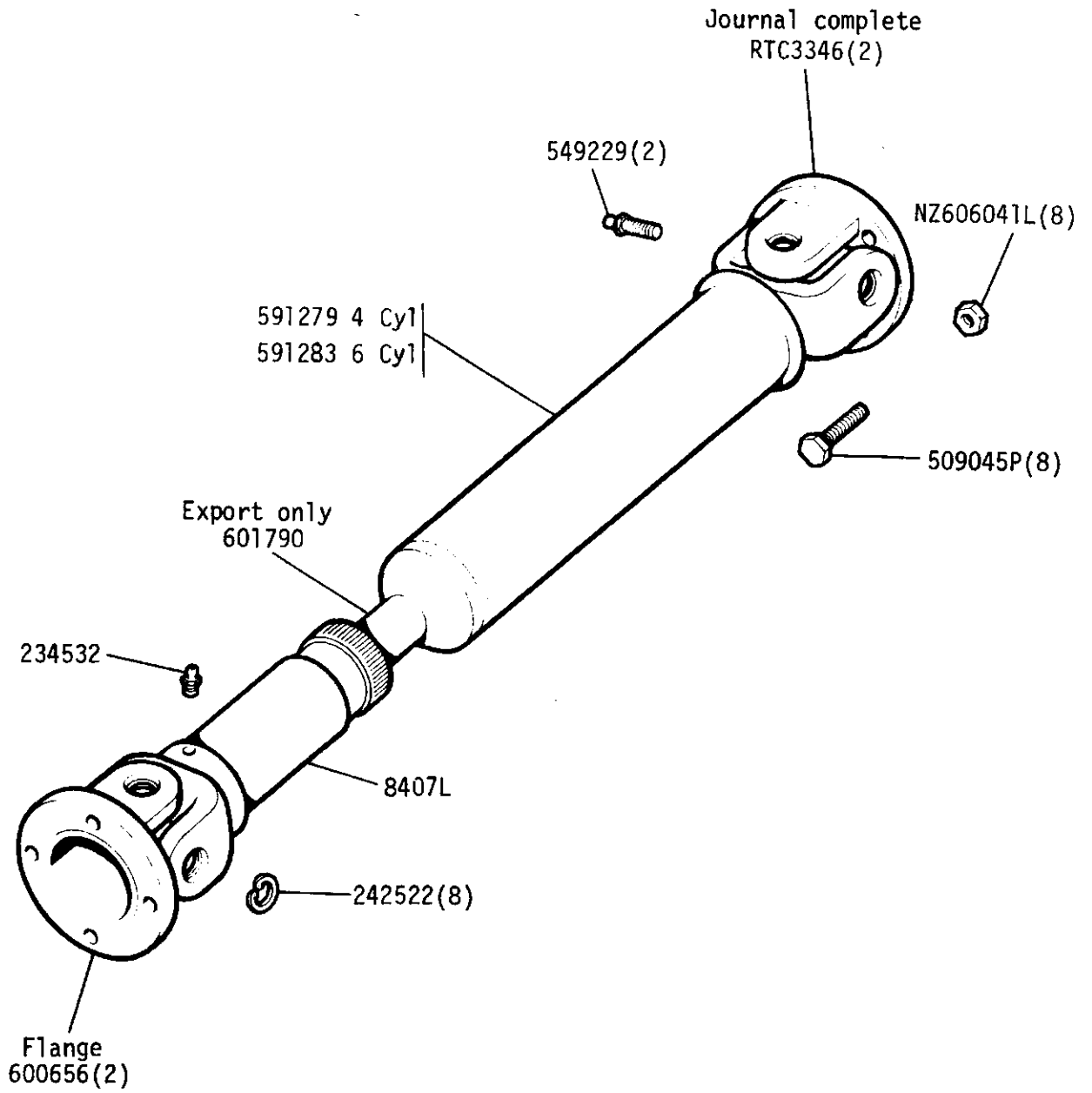
GROUP E
 PROPELLER SHAFT - Rear Except 109in 1 Ton



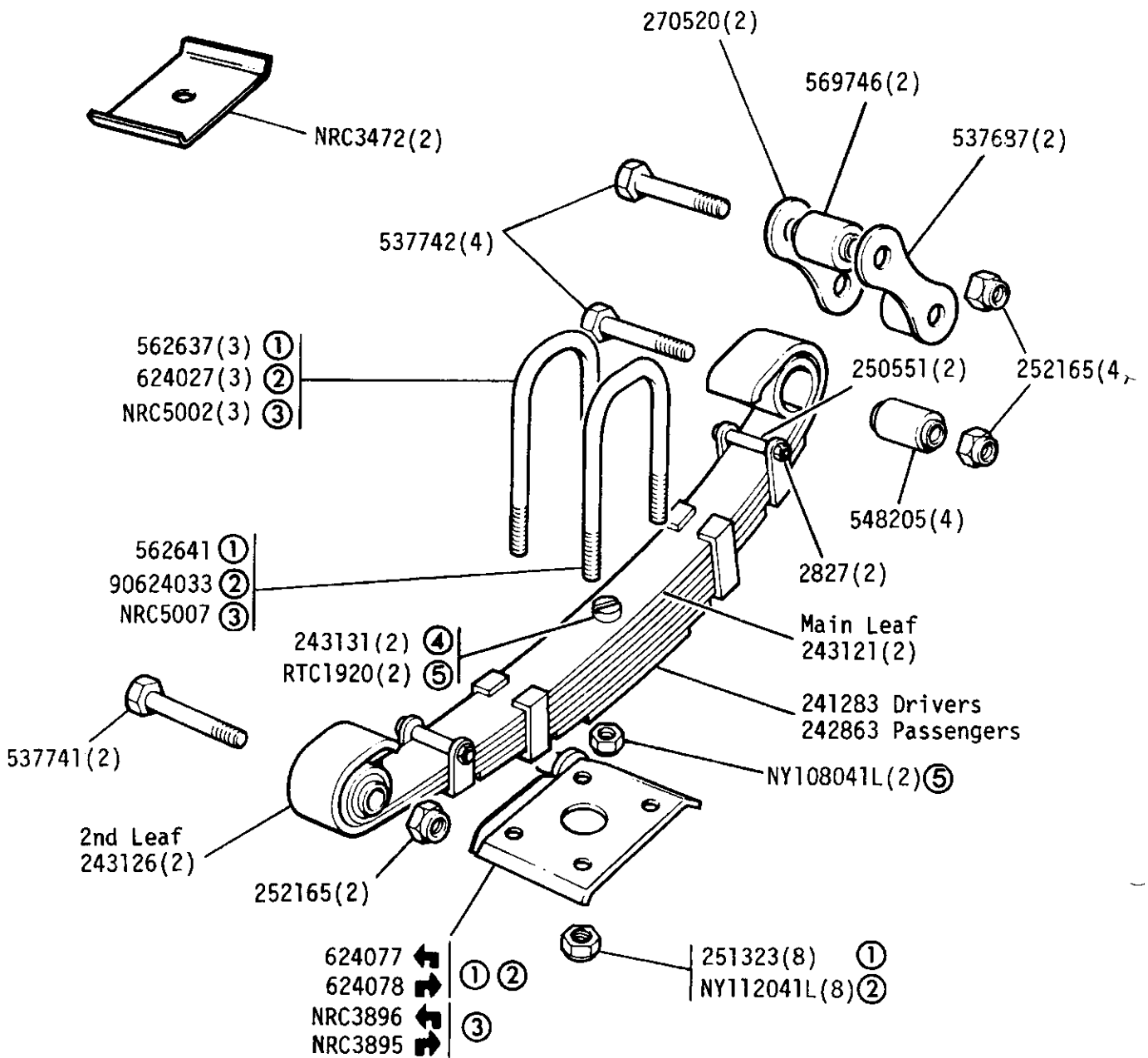
Sliding joint complete, less male spline AEU1582 109 V8

GROUP E

PROPELLER SHAFT - Rear 109 in 1 Ton



GROUP E
 SUSPENSION - Front Road Springs - 88in 2½ Litre Petrol



Part numbers of road springs are stamped on underside of 3rd or bottom leaf

- ① Up to axle suffix 'C' inclusive
- ② Axle suffix 'D'
- ③ Axle suffix 'E' onwards
- ④ UNF
- ⑤ Metric